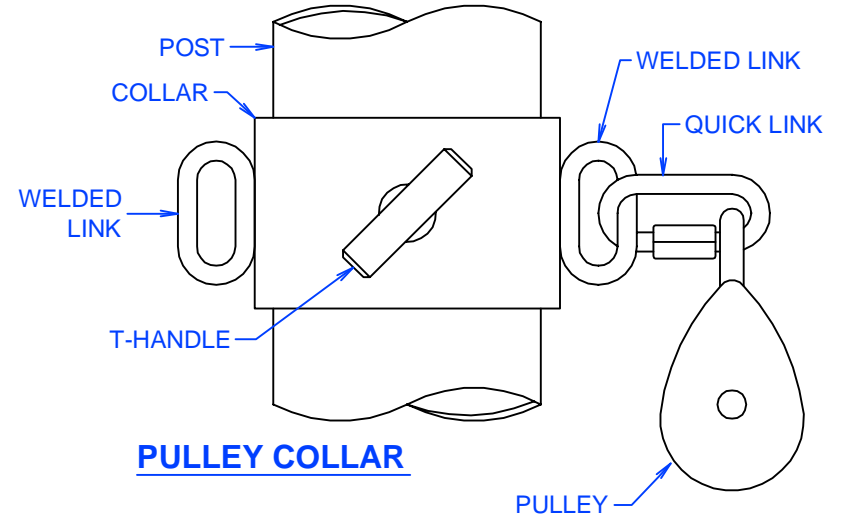
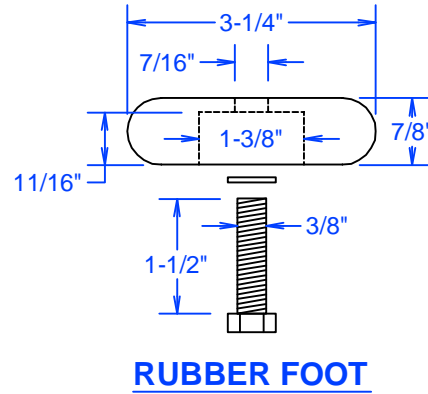


HEAVY-DUTY
SNAP HOOK

1-7/8" BELT
(LENGTH 5" TO 44")



HANDLE SHOWN
IN STORAGE
POSITION

SHAFT AND
BUSHINGS

WINCH

ROLLER
HANDLE

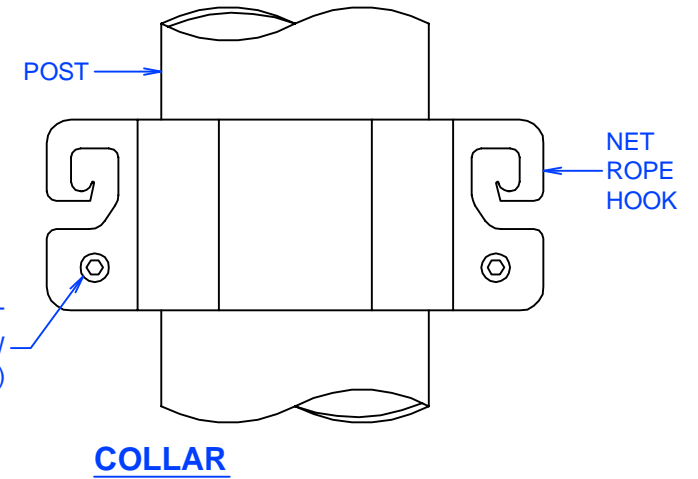
WINCH BODY
INTERNAL WORM GEAR

WINCH CLAMP
1/4"-20 X 1" SOCKET
HEAD CAP SCREW
(TYP. 2)

NET
ROPE
HOOK

POST

1/4"-20 X 1" SOCKET
HEAD CAP SCREW
(TYP. 2)



REVISION / STAGE:	MONTH / DAY / YEAR	RELATED DRAWINGS / INFORMATION:
LAST UPDATE	JULY 18, 2011	
_____	_____	
_____	_____	
_____	_____	
VBP-S1 (PARTS)		THIS DRAWING IS PROPERTY OF ARIZONA COURTLINES, INC. AND MAY NOT BE REPRODUCED WITHOUT WRITTEN PERMISSION

VOLLEYBALL POST COMPONENTS FOR "VBP-S1"

PARTS DETAIL

ARIZONA COURTLINES, INC.



8742 NORTH 78TH AVENUE
PEORIA, ARIZONA 85345
TEL. 623.939.8126
FAX. 623.939.2526
www.ARIZONACOURTLINES.com

DRAWN BY:
EDDIE CAFFERAT

CHECKED BY:

QUANTITY: