

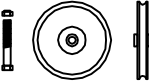



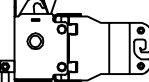
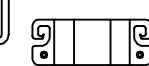
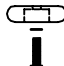
**POST LENGTH DETAILS**  
 CUT LENGTH = LENGTH OF MATERIAL  
 OVERALL ELNGTH INCLUDES RUBBER FOOT

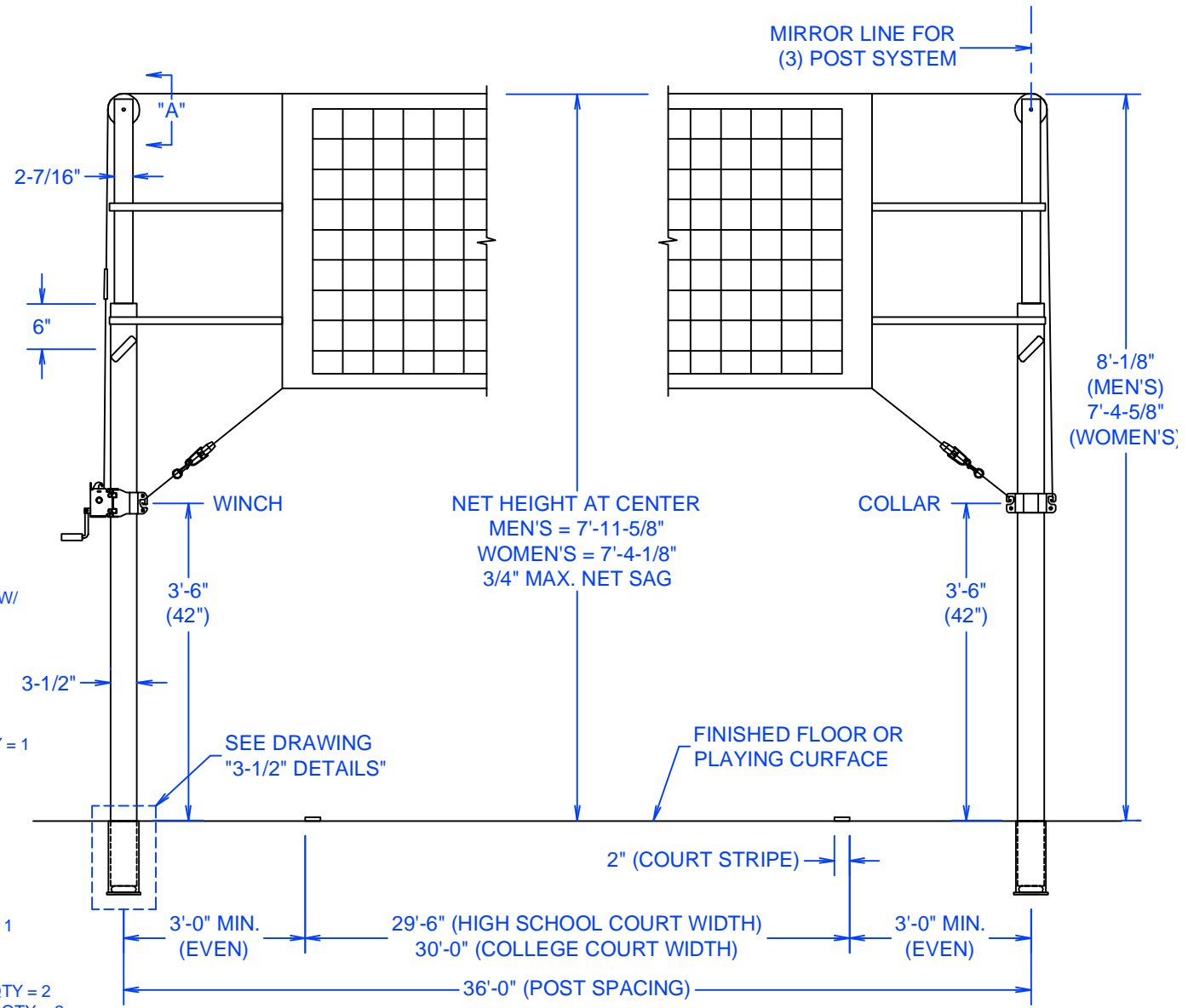
---

INNER POST (2-7/16" X 1-3/4")  
 CUT LENGTH = 3'-6"

---

OUTER POST (3-1/2" O.D.)  
 SLEEVE TYPE CUT LENGTH = 6'-5"  
 SLEEVE TYPE OVERALL LENGTH = 6'-5-7/8"  
 PERMANENT TYPE CUT LENGTH = 7'-8-3/8"

-  CABLE PULLEY (4-1/4" X 15/16") W/  
3/8" X 2-1/2" BOLT W/ LOCK NUT  
QTY = 2
-  POST T-HANDLE - QTY = 2
-  HEAVY-DUTY SNAP HOOK - QTY = 1
-  1-7/8" WINCH BELT - QTY = 1
-  WINCH W/ (2) SCREWS &  
CRANK HANDLE - QTY = 1
-  COLLAR W/ (2) SCREWS - QTY = 1
-  FOR SLEEVE TYPE ONLY:  
RUBBER FOOT (3-1/4" X 7/8") - QTY = 2  
3/8" X 1-1/2" BOLT W/ WASHER - QTY = 2



REVISION / STAGE	MONTH / DAY / YEAR	RELATED DRAWINGS / INFORMATION:
LAST UPDATE	DECEMBER 17, 2009	
<b>VBP-A2</b>		THIS DRAWING IS PROPERTY OF ARIZONA COURTLINES, INC. AND MAY NOT BE REPRODUCED WITHOUT WRITTEN PERMISSION

VBP-A2 - SLEEVE TYPE - POWDER COAT FINISH  
 VBP-A2 - PERMANENT TYPE - POWDER COAT FINISH

**TELESCOPING VOLLEYBALL POSTS**  
 3-1/2" O.D. EXTRUDED ALUMINUM

**ARIZONA COURTLINES, INC.**



8742 NORTH 78TH AVENUE  
 PEORIA, ARIZONA 85345  
 TEL. 623.939.8126  
 FAX. 623.939.2526  
 www.ARIZONACOURTLINES.com

DRAWN BY:  
**EDDIE CAFFERAT**

CHECKED BY:

QUANTITY: