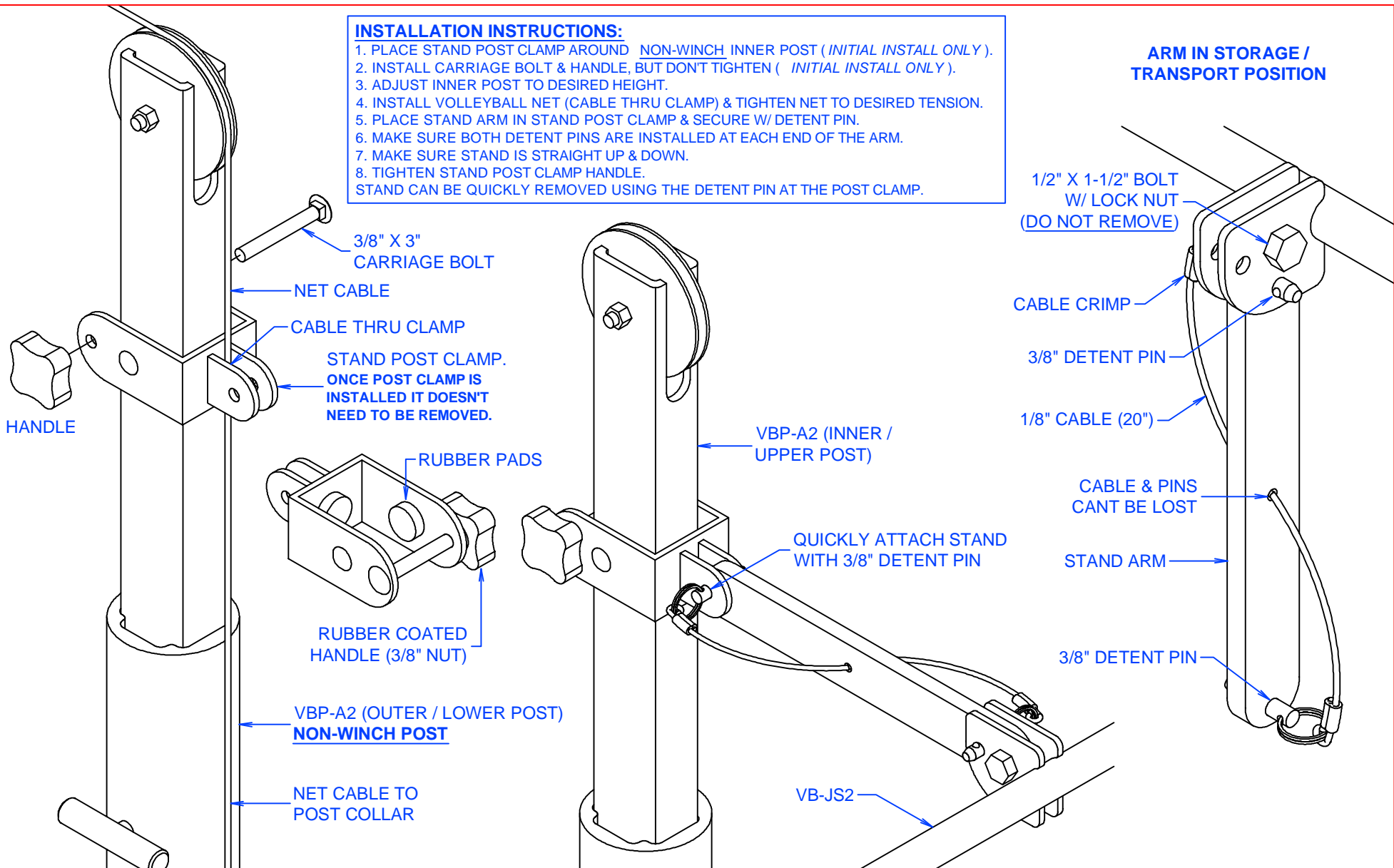


INSTALLATION INSTRUCTIONS:

1. PLACE STAND POST CLAMP AROUND NON-WINCH INNER POST (*INITIAL INSTALL ONLY*).
 2. INSTALL CARRIAGE BOLT & HANDLE, BUT DON'T TIGHTEN (*INITIAL INSTALL ONLY*).
 3. ADJUST INNER POST TO DESIRED HEIGHT.
 4. INSTALL VOLLEYBALL NET (CABLE THRU CLAMP) & TIGHTEN NET TO DESIRED TENSION.
 5. PLACE STAND ARM IN STAND POST CLAMP & SECURE W/ DETENT PIN.
 6. MAKE SURE BOTH DETENT PINS ARE INSTALLED AT EACH END OF THE ARM.
 7. MAKE SURE STAND IS STRAIGHT UP & DOWN.
 8. TIGHTEN STAND POST CLAMP HANDLE.
- STAND CAN BE QUICKLY REMOVED USING THE DETENT PIN AT THE POST CLAMP.

**ARM IN STORAGE /
TRANSPORT POSITION**



REVISION / STAGE:	MONTH / DAY / YEAR	RELATED DRAWINGS / INFORMATION:
VB-JS2-A2		THIS DRAWING IS PROPERTY OF ARIZONA COURTLINES, INC. AND MAY NOT BE REPRODUCED WITHOUT WRITTEN PERMISSION

VB-JS2

**VOLLEYBALL JUDGE'S STAND
VBP-A2 CLAMP DETAIL**

ARIZONA COURTLINES, INC.



8742 NORTH 78TH AVENUE
PEORIA, ARIZONA 85345
TEL. 623.939.8126
FAX. 623.939.2526
www.ARIZONACOURTLINES.com

DRAWN BY: EDDIE CAFFERAT
CHECKED BY:
QUANTITY: