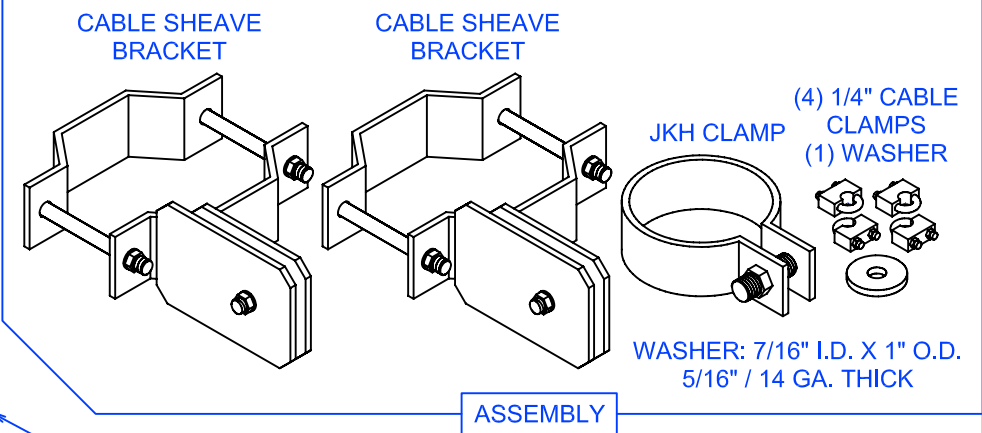
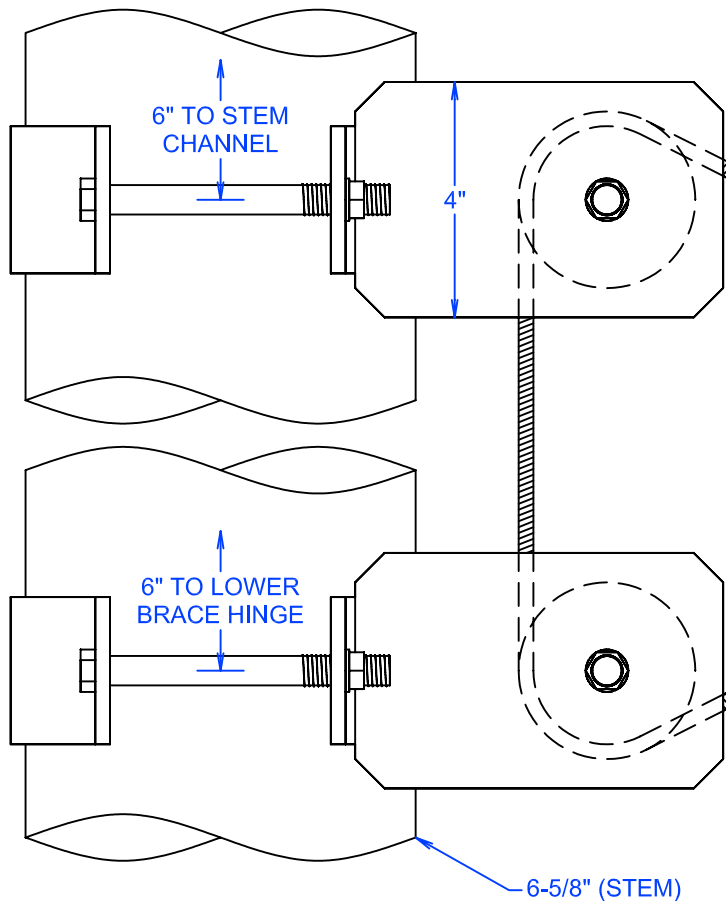
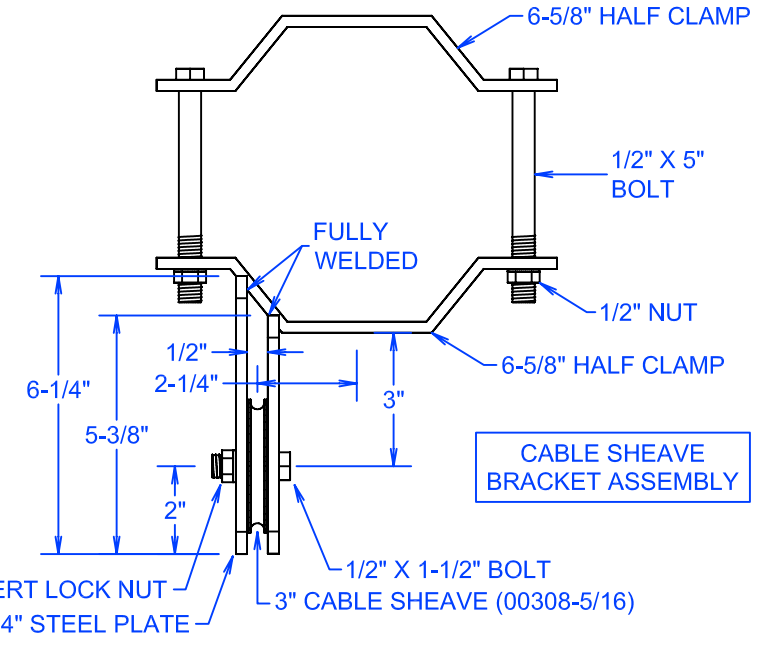


TYPICAL MOUNTING AND ROUTING DETAIL



TO JKH (SEE DWG D-8.4)
 (2) CABLE CLAMPS, (1) WASHER
 ADJUSTED BY INSTALLER



CABLE SHEAVE BRACKET ASSEMBLY

REVISION / STAGE:	MONTH / DAY / YEAR	RELATED DRAWINGS / INFORMATION:
REVISED	OCTOBER 30, 2008	
_____	_____	
_____	_____	
_____	_____	
D-8.3		THIS DRAWING IS PROPERTY OF ARIZONA COURTLINES, INC. AND MAY NOT BE REPRODUCED WITHOUT WRITTEN PERMISSION

D-8.3

CABLE SHEAVE BRACKET ASSEMBLY

ARIZONA COURTLINES, INC.

8742 NORTH 78TH AVENUE
 PEORIA, ARIZONA 85345
 TEL. 623.939.8126
 FAX. 623.939.2526
 www.ARIZONACOURTLINES.com

DRAWN BY:
 EDDIE CAFFERATA

CHECKED BY:

QUANTITY: