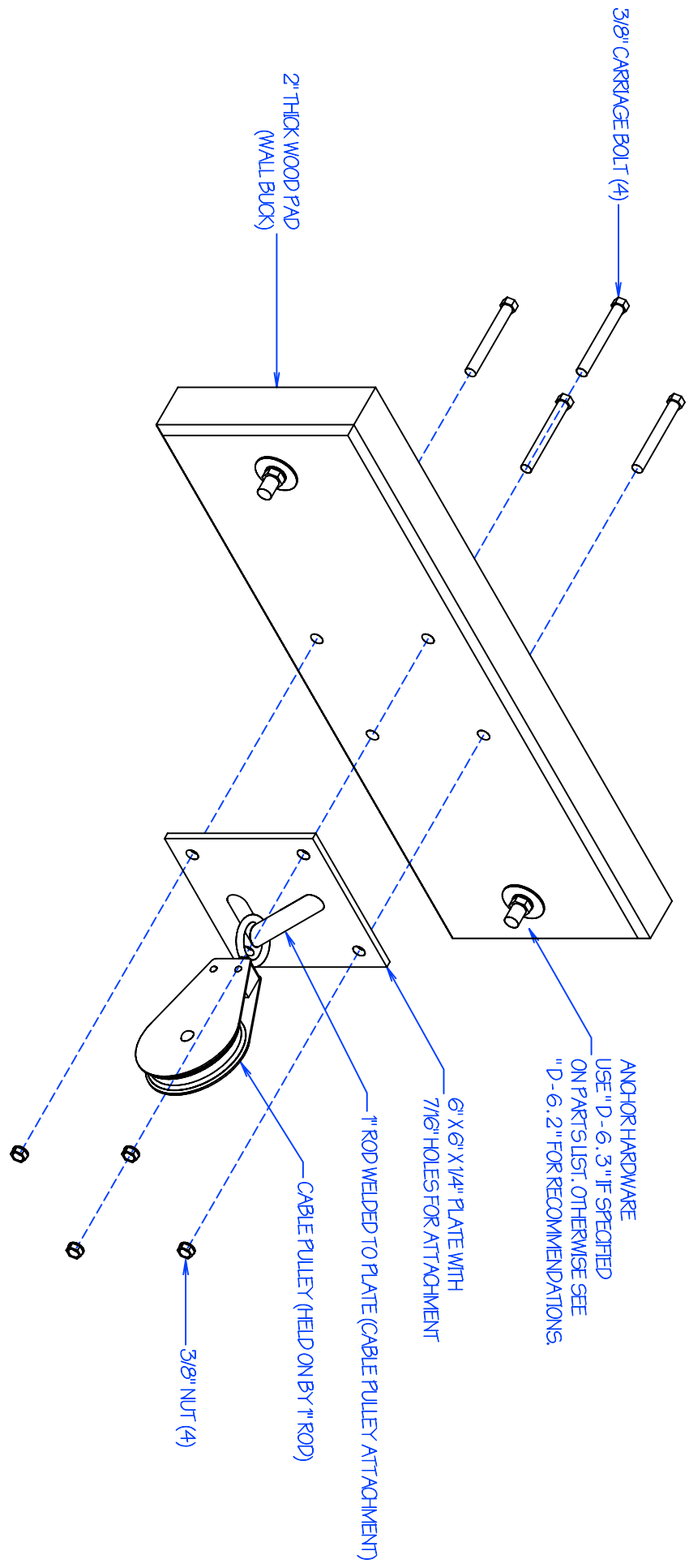


INSTALLER TO DETERMINE PROPER LOCATION(S) OF WALL MOUNTED CABLE PULLEY ASSEMBLY (G). INSTALLER TO DRILL HOLES FOR ALL HARDWARE.



REVISION/STAGE MONTH / DAY / YEAR

RELATED DRAWINGS / INFORMATION

D-8.2

WALL MOUNTED CABLE PULLEY ASSEMBLY
(TYPICALLY INSTALLED DIRECTLY ABOVE MANUAL WINCH)

THIS DRAWING IS PROPERTY OF ARIZONA COURTLINES, INC. AND MAY NOT BE REPRODUCED WITHOUT WRITTEN PERMISSION

D-8.2

ARIZONA COURTLINES, INC.



8742 NORTH 72ND AVENUE
PEORIA, ARIZONA 85345
PHONE (623) 939-8726
FAX (623) 939-2526
WWW.ARIZONACOURTLINES.COM

DRAWN BY:

EDDIE CAFFERATA

CHECKED BY:

QUANTITY:
