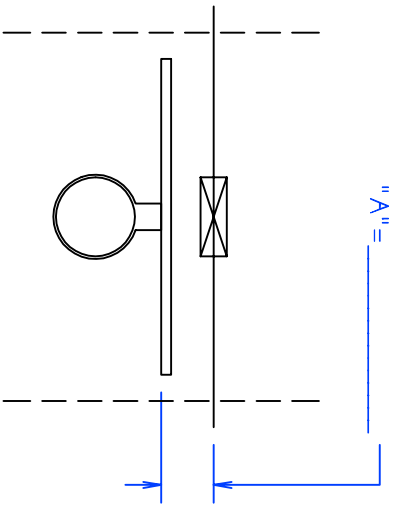
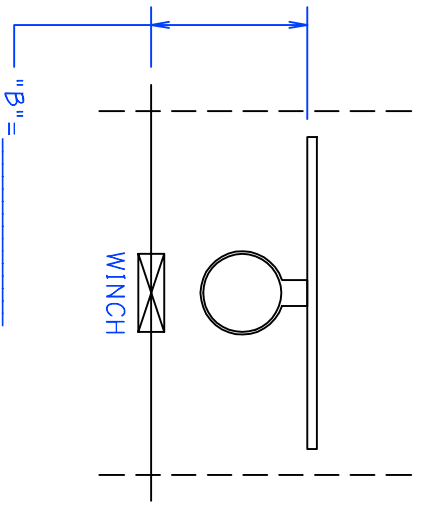


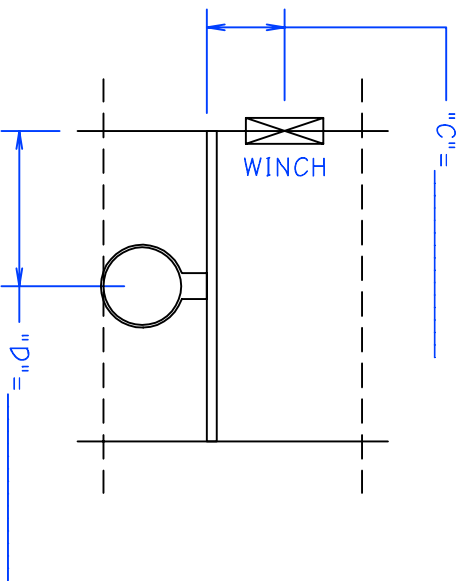
1



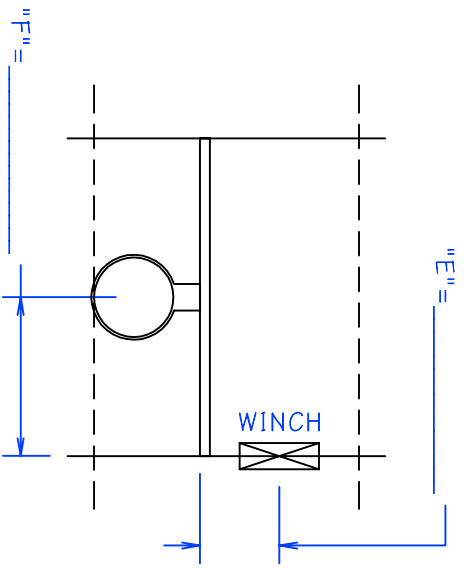
2



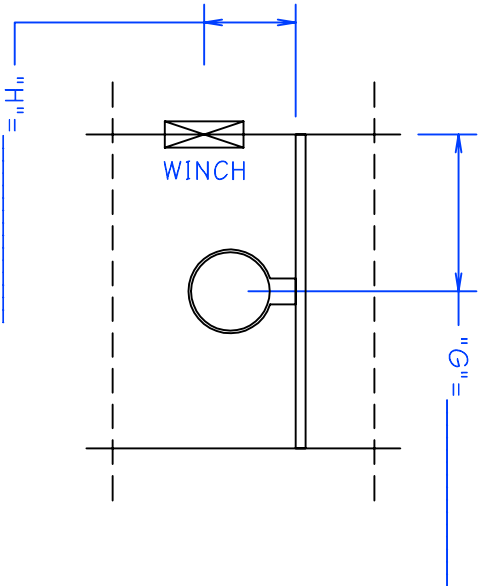
3



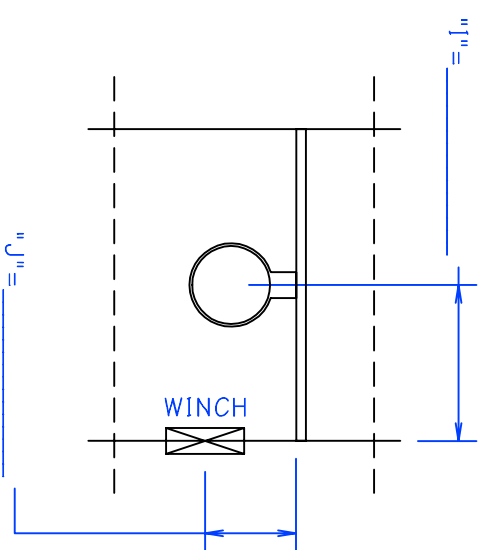
4



5



6



REVISION / STAGE MONTH / DAY / YEAR

KEY



D-8.1

THIS DRAWING IS PROPERTY OF ARIZONA COURTLINES, INC. AND MAY NOT BE REPRODUCED WITHOUT WRITTEN PERMISSION

D-8.1

WINCH LOCATION (IN RELATION TO THE BACKBOARD)
FOR CEILING SUSPENDED BASKETBALL UNITS

ARIZONA COURTLINES, INC.



8742 NORTH 72ND AVENUE
PEORIA, ARIZONA 85345
PHONE (623) 939-8726
FAX (623) 939-2826
WWW.ARIZONACOURTLINES.COM

DRAWN BY:

EDDIE CAPPERRATA

CHECKED BY:

QUANTITY:
