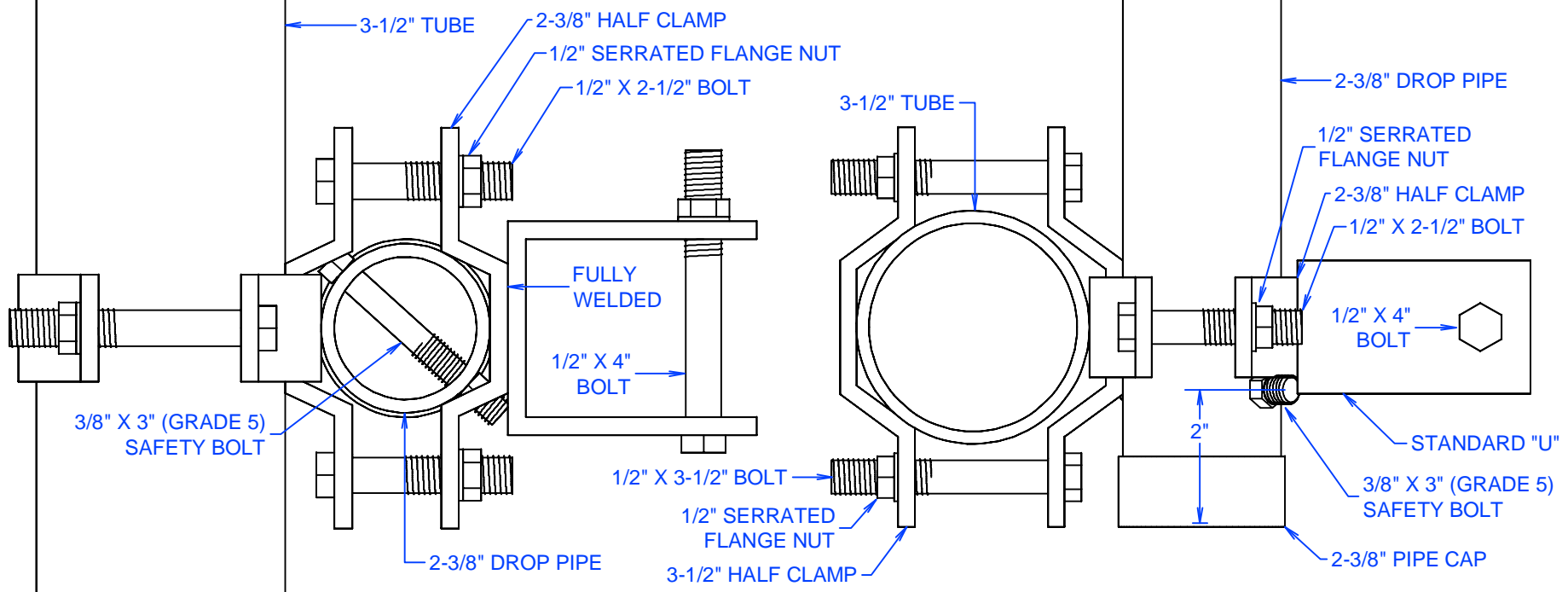


INSTALLER TO DRILL AND INSTALL  
3/8" X 3", GRADE 5, SAFETY BOLT  
AT ALL DROP LOCATIONS



**TOP VIEW**

**FRONT VIEW**

REVISION / STAGE:	MONTH / DAY / YEAR	RELATED DRAWINGS / INFORMATION:
<b>D-5.14</b>		THIS DRAWING IS PROPERTY OF ARIZONA COURTLINES, INC. AND MAY NOT BE REPRODUCED WITHOUT WRITTEN PERMISSION

**D-5.14**

**DROP X-CLAMP W/ "U" BRACKET  
(2-3/8" / 3-1/2" X-CLAMP ASSEMBLY)**

**ARIZONA COURTLINES, INC.**

8742 NORTH 78TH AVENUE  
PEORIA, ARIZONA 85345  
TEL. 623.939.8126  
FAX. 623.939.2526  
www.ARIZONACOURTLINES.com

DRAWN BY: <b>EDDIE CAFFERAT</b>
CHECKED BY:
QUANTITY: