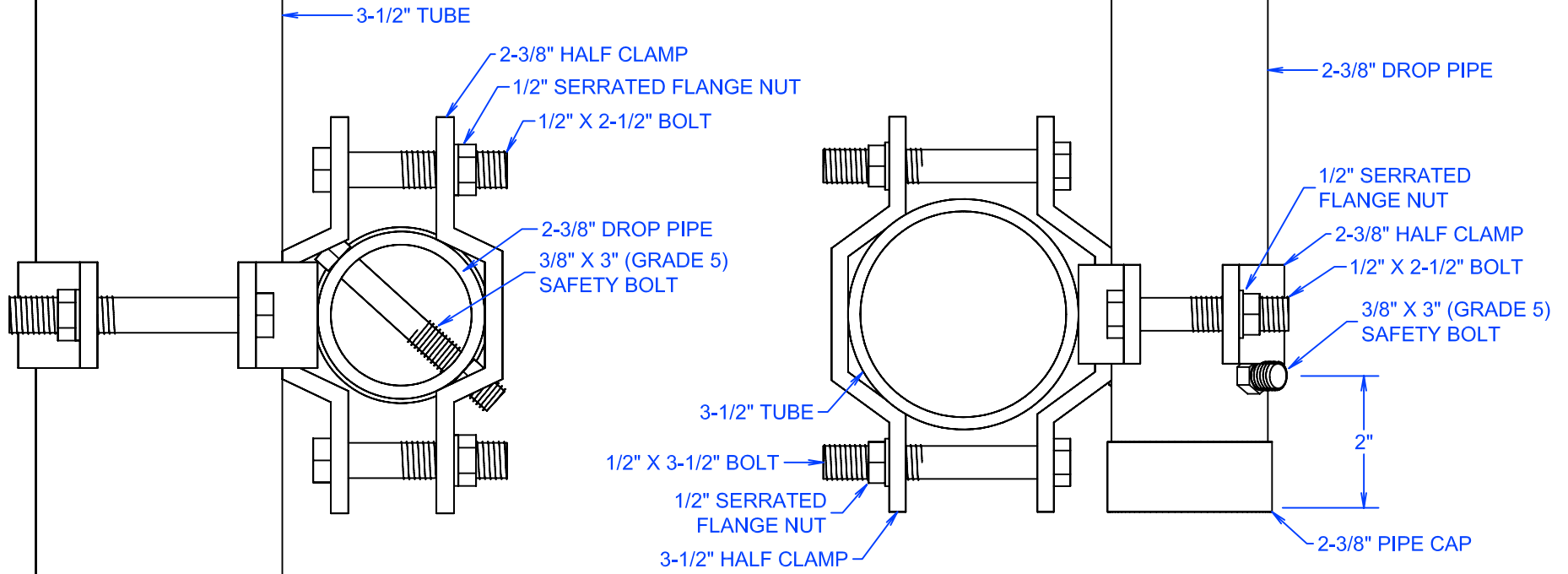


INSTALLER TO DRILL AND INSTALL
3/8" X 3", GRADE 5, SAFETY BOLT
AT ALL DROP LOCATIONS



TOP VIEW


FRONT VIEW

REVISION / STAGE:	MONTH / DAY / YEAR	RELATED DRAWINGS / INFORMATION:
_____	_____	_____
_____	_____	_____
_____	_____	_____
_____	_____	_____
D-5.13		THIS DRAWING IS PROPERTY OF ARIZONA COURTLINES, INC. AND MAY NOT BE REPRODUCED WITHOUT WRITTEN PERMISSION

D-5.13

**DROP X-CLAMP
(2-3/8" / 3-1/2" X-CLAMP ASSEMBLY)**

ARIZONA COURTLINES, INC.



8742 NORTH 78TH AVENUE
PEORIA, ARIZONA 85345
TEL. 623.939.8126
FAX. 623.939.2526
www.ARIZONACOURTLINES.com

DRAWN BY:
EDDIE CAFFERATA

CHECKED BY:

QUANTITY:
