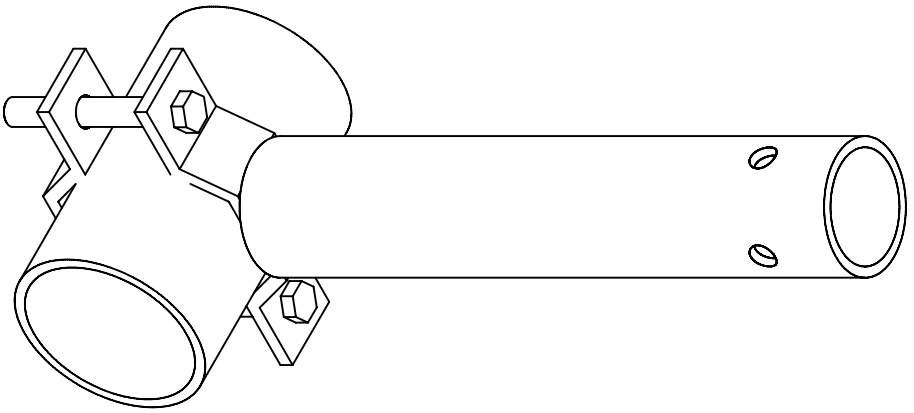
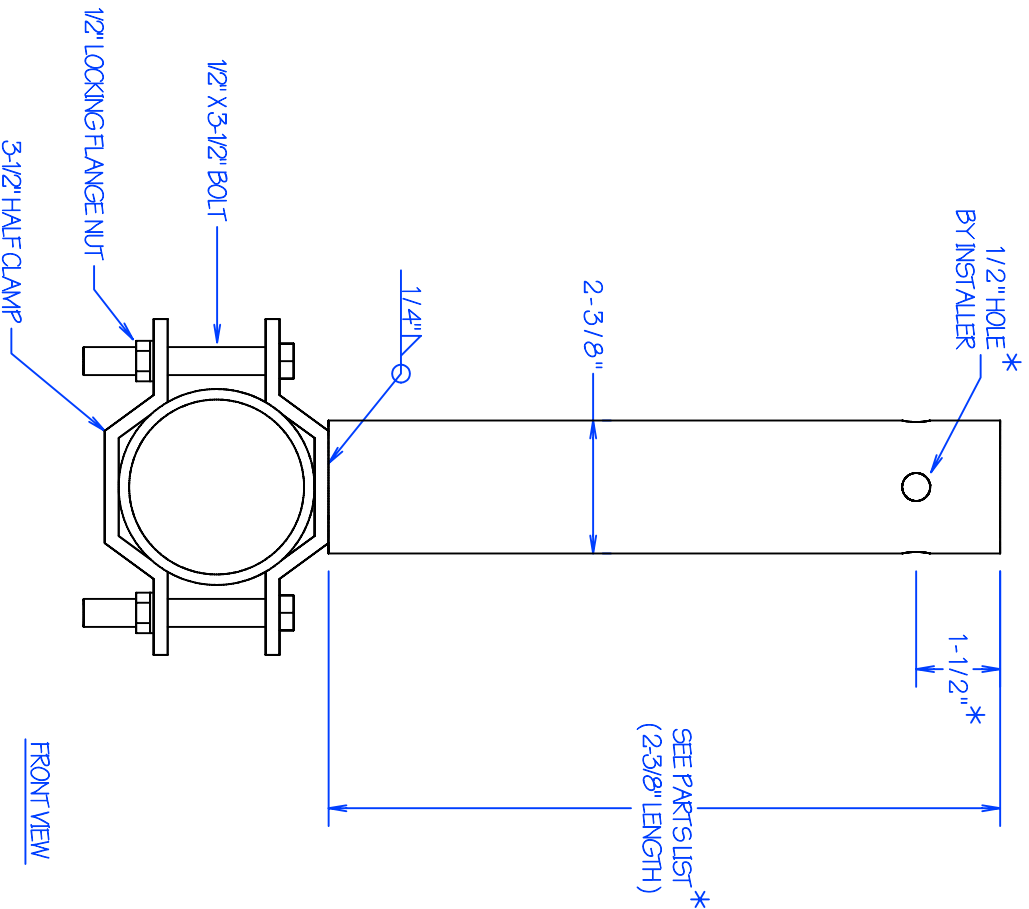


* INSTALLER CUT AND DRILL AS REQUIRED



ISOMETRIC VIEW



FRONT VIEW

REVISION / STAGE / MONTH / DAY / YEAR

RELATED DRAWINGS / INFORMATION

D-5	

THIS DRAWING IS PROPERTY OF ARIZONA COURTLINES, INC. AND MAY NOT BE REPRODUCED WITHOUT WRITTEN PERMISSION

D-5

DROP PIPE DETAIL

ARIZONA COURTLINES, INC.



8742 NORTH 72ND AVENUE
 PEORIA, ARIZONA 86545
 PHONE (625) 939-8726
 FAX (625) 939-2526
 WWW.ARIZONACOURTLINES.COM

DRAWN BY:

EDDIE CAFFERATA

CHECKED BY:

QUANTITY:
