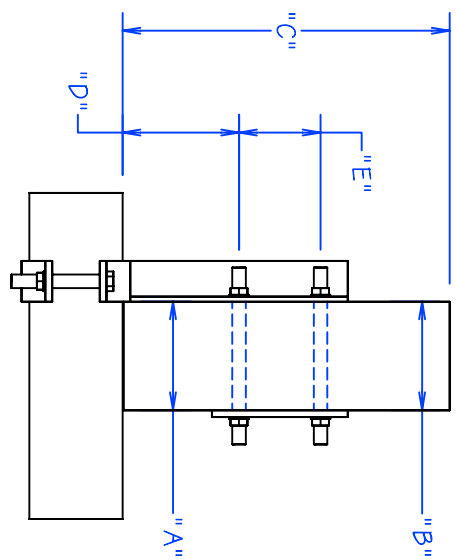


GULLAM BEAM



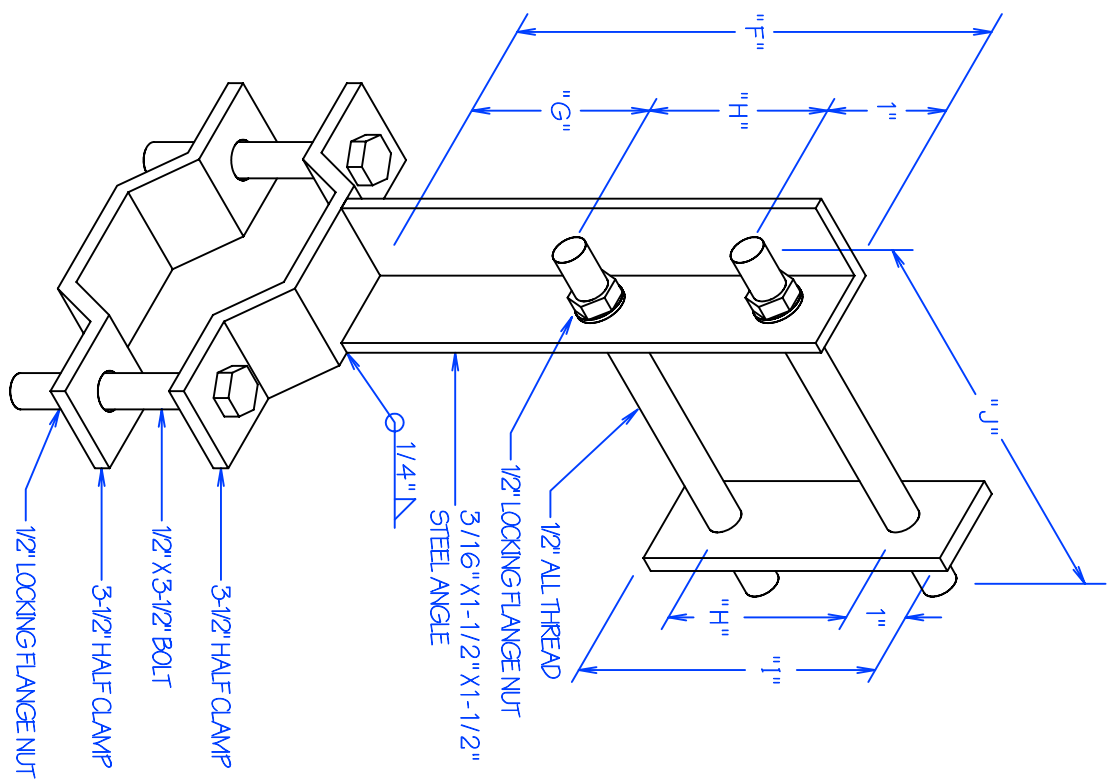
CONSULT PROJECT STRUCTURAL ENGINEER FOR DIMENSIONS "D" & "E"

- "A" = _____
- "B" = _____
- "C" = _____
- "D" = _____
- "E" = _____
- CONCRETE "T"
- GULLAM BEAM

STANDARD DIMENSIONS (TO BE USED IF DIMENSIONS ARE NOT SPECIFIED ABOVE)

- "A" = 8"
- "B" = 8"
- "C" = 12"
- "D" = 4"
- "E" = 3"

"F" = "D" (+) "E" (+) 3/4"
 "G" = "D" (-) 1/4"
 "H" = "E"
 "I" = "E" (+) 2"
 "J" = "B" (+) 3-1/2"



REVISION / STAGE / MONTH / DAY / YEAR

RELATED DRAWINGS / INFORMATION

D-4.8

THIS DRAWING IS PROPERTY OF ARIZONA COURTLINES, INC. AND MAY NOT BE REPRODUCED WITHOUT WRITTEN PERMISSION

D-4.8

CONCRETE "T" OR GULLAM BEAM (GLB) ATTACHMENT CLAMP

ARIZONA COURTLINES, INC.



8742 NORTH 172 TH AVENUE
 PEORIA, ARIZONA 86545
 PHONE (625) 939-8726
 FAX (625) 939-2526
 WWW.ARIZONACOURTLINES.COM

DRAWN BY:

EDDIE CAFFERATA

CHECKED BY:

QUANTITY:
