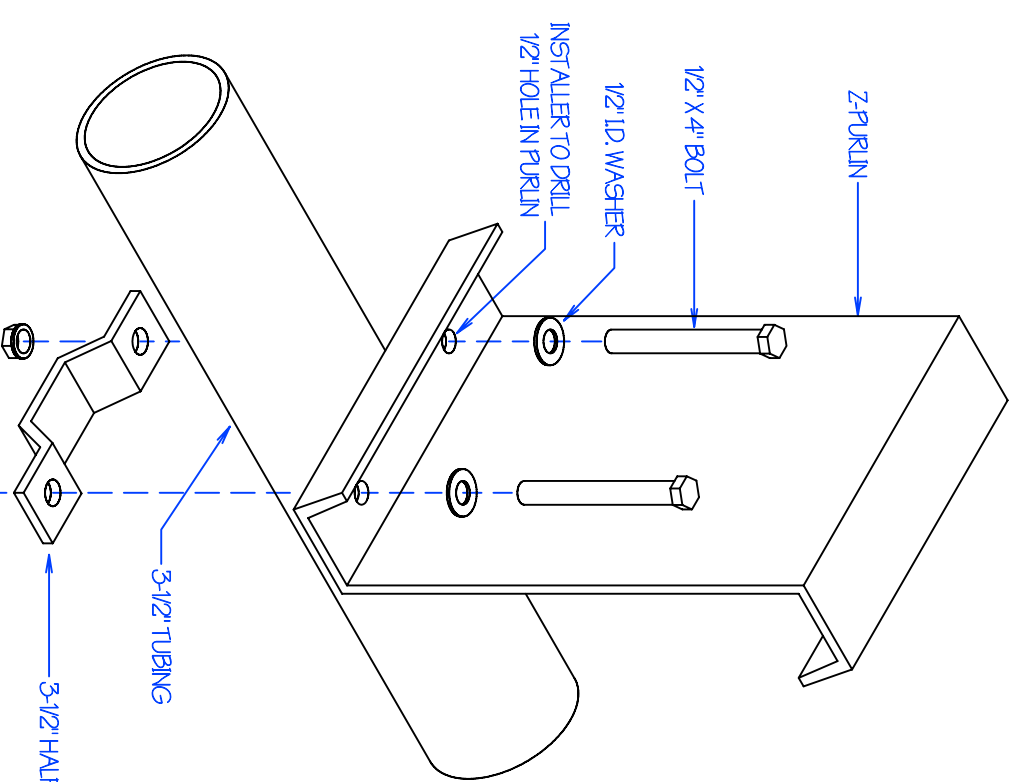


INSTALLED DETAIL



EXPLODED DETAIL

REVISION / STAGE / MONTH / DAY / YEAR

RELATED DRAWINGS / INFORMATION

D-4

Z-PURLIN ATTACHMENT  
(3-1/2" TUBING TO Z-PURLIN)

ARIZONA COURTLINES, INC.



8742 NORTH 72<sup>ND</sup> AVENUE  
PEORIA, ARIZONA 85345  
PHONE (625) 939-8726  
FAX (625) 939-2526  
WWW.ARIZONACOURTLINES.COM

DRAWN BY:

EDDIE CAFFERATA

CHECKED BY:

QUANTITY:

D-4

THIS DRAWING IS PROPERTY OF ARIZONA COURTLINES, INC. AND MAY NOT BE REPRODUCED WITHOUT WRITTEN PERMISSION