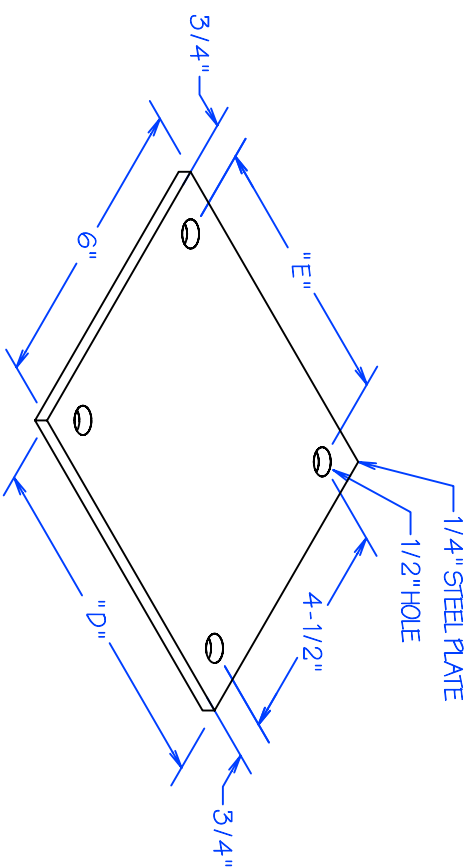
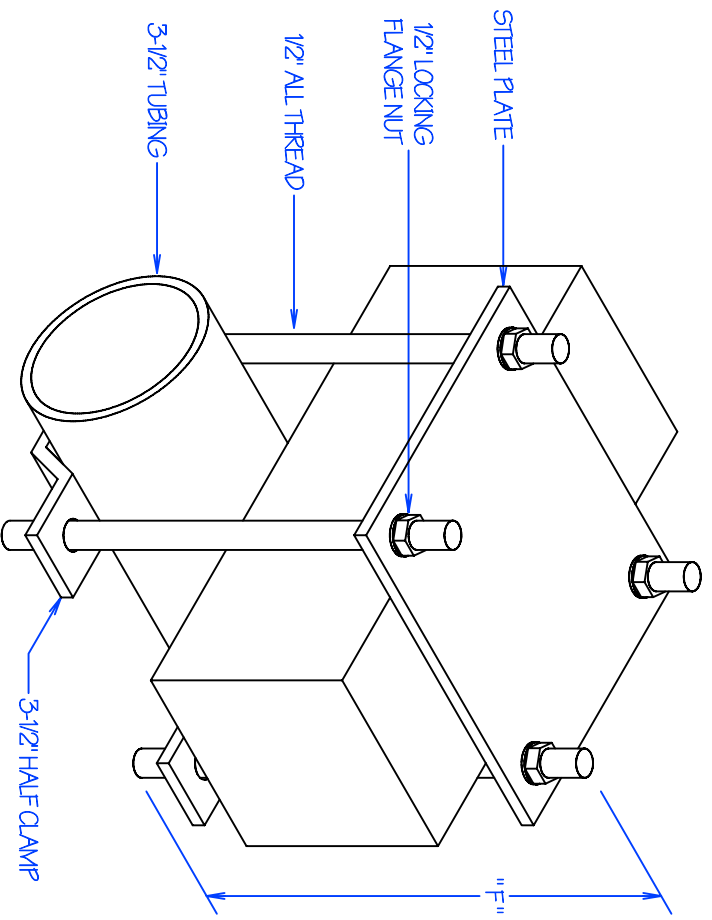


"A" =	_____
"B" =	_____
"C" =	_____
<input type="checkbox"/>	WOOD TRUSS
<input type="checkbox"/>	WOOD BLOCKING
<input type="checkbox"/>	STEEL TUBE



"D" = "A" (+) 3"
 "E" = "D" (-) 1-1/2"
 "F" = "B" (+) 6"

REVISION/STAGE	MONTH / DAY / YEAR
D-3.8	

RELATED DRAWINGS / INFORMATION

D-3.8

WOOD TRUSS OR STEEL TUBE ATTACHMENT CLAMP

THIS DRAWING IS PROPERTY OF ARIZONA COURTLINES, INC. AND MAY NOT BE REPRODUCED WITHOUT WRITTEN PERMISSION.



ARIZONA COURTLINES, INC.

8742 NORTH 72ND AVENUE
 PEORIA, ARIZONA 85345
 PHONE (623) 939-8726
 FAX (623) 939-2526
 WWW.ARIZONACOURTLINES.COM

DRAWN BY:

EDDIE CAFFERATA

CHECKED BY:

QUANTITY:
