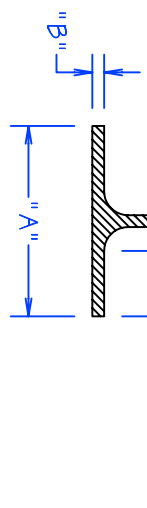
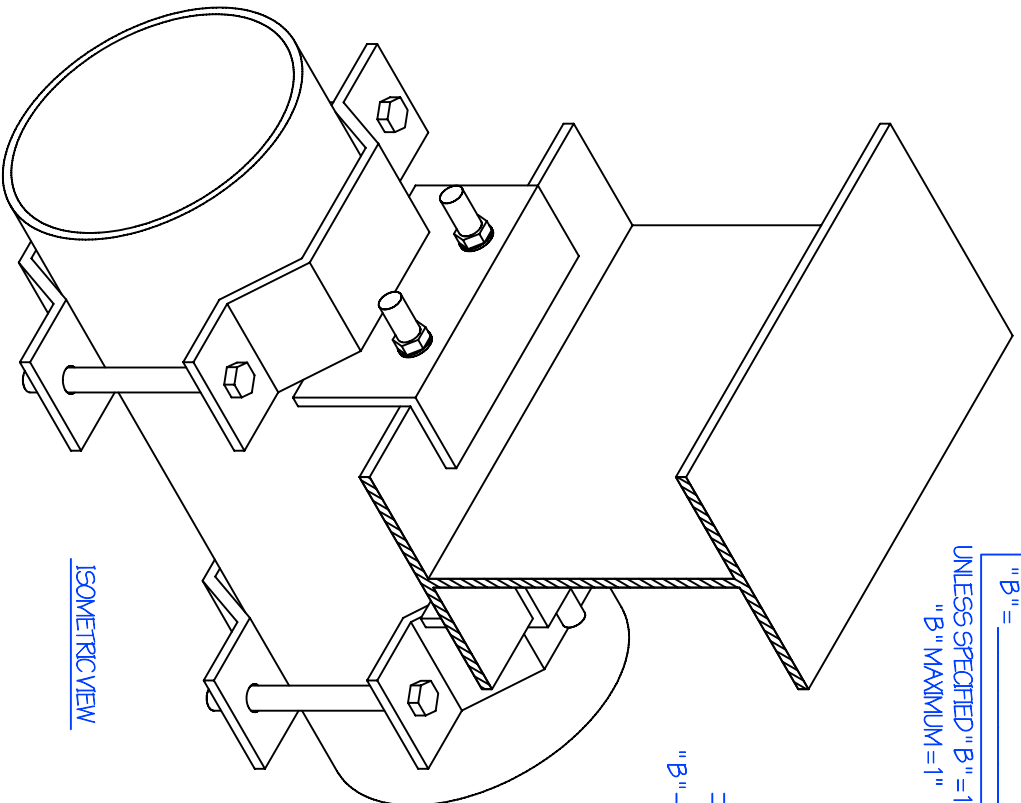
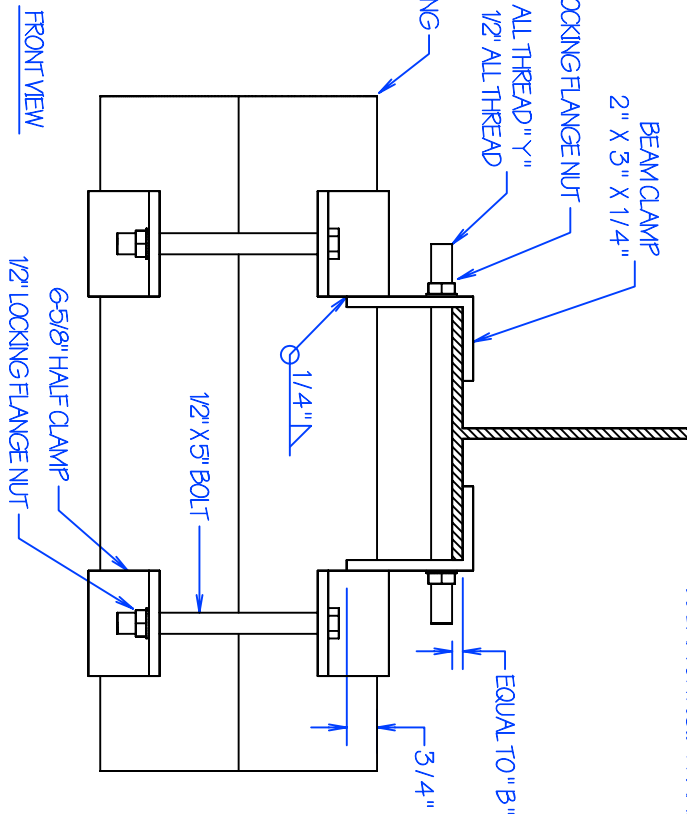
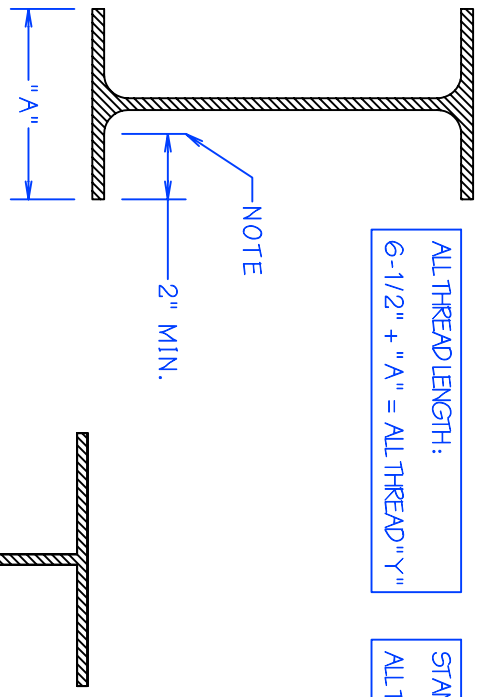


"A" = _____
 "B" = _____
 UNLESS SPECIFIED "B" = 1/4"
 "B" MAXIMUM = 1"



ALL THREAD LENGTH:
 6-1/2" + "A" = ALL THREAD "Y"

STANDARD ALL THREAD LENGTH:
 ALL THREAD "Y" = 16"



REVISION / STAGE / MONTH / DAY / YEAR

RELATED DRAWINGS / INFORMATION

D-3.6

ARIZONA COURTLINES, INC.



8742 NORTH 72ND AVENUE
 PHOENIX, ARIZONA 85048
 PHONE (623) 939-8726
 FAX (623) 939-2526
 WWW.ARIZONACOURTLINES.COM

DRAWN BY:
 EDDIE CAFFERATA

CHECKED BY:

QUANTITY:

D-3.6

THIS DRAWING IS PROPERTY OF ARIZONA COURTLINES, INC. AND MAY NOT BE REPRODUCED WITHOUT WRITTEN PERMISSION

BEAM CLAMP ASSEMBLY
 6-5/8" TUBING TO I-BEAM OR RIGID FRAME