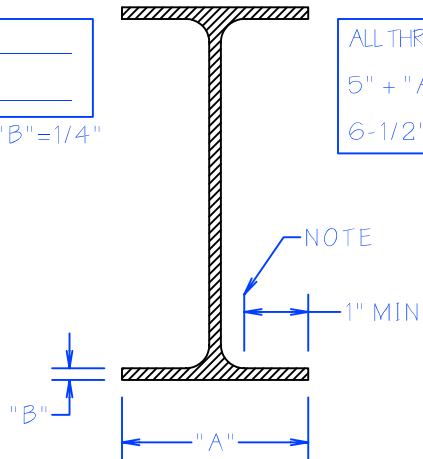


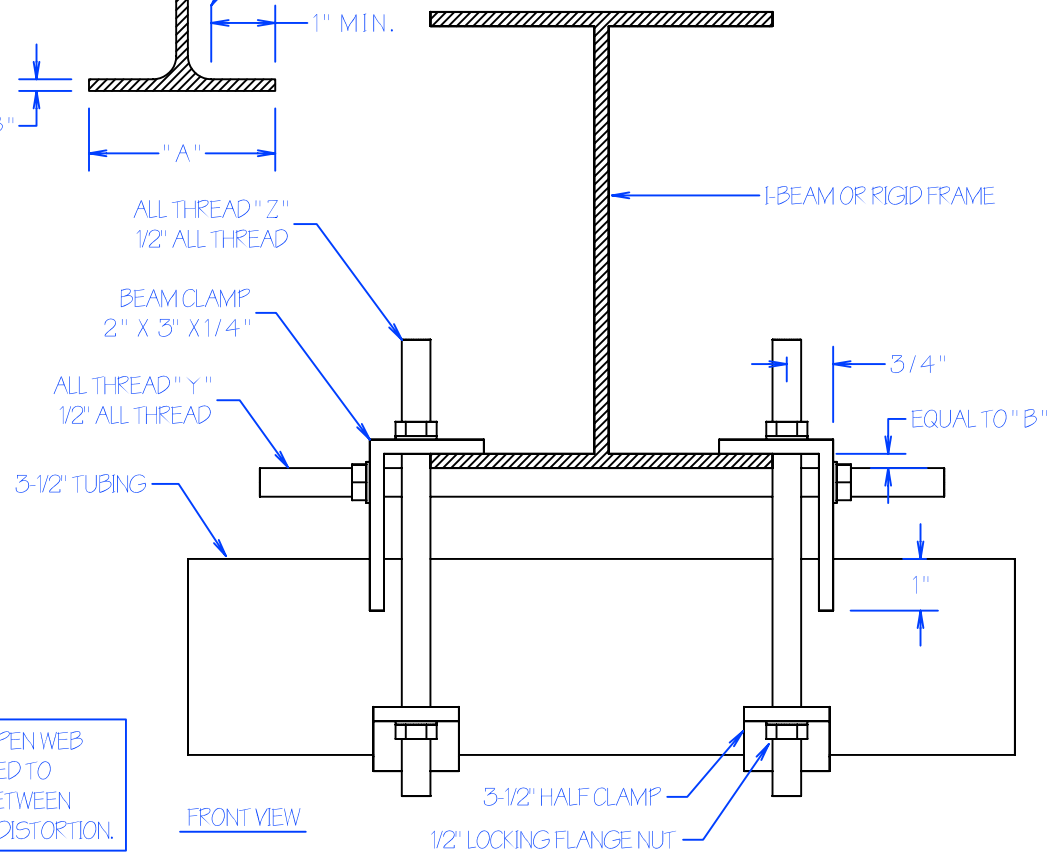
ISOMETRIC VIEW

"A" = _____
 "B" = _____
 UNLESS SPECIFIED "B" = 1/4"



ALL THREAD LENGTHS:
 $5" + "A" = \text{ALL THREAD "Y"}$
 $6-1/2" + "B" = \text{ALL THREAD "Z"}$

STANDARD ALL THREAD LENGTHS:
 ALL THREAD "Y" = 14"
 ALL THREAD "Z" = 7"



FRONT VIEW

BEAM CLAMPS CAN BE USED ON OPEN WEB STEEL JOISTS. INSTALLER MAY NEED TO PROVIDE AND INSTALL SPACERS BETWEEN JOIST ANGLES TO PREVENT JOIST DISTORTION.

REVISION / STAGE	MONTH / DAY / YEAR	RELATED DRAWINGS / INFORMATION:
D-3		THIS DRAWING IS PROPERTY OF ARIZONA COURTLINES, INC. AND MAY NOT BE REPRODUCED WITHOUT WRITTEN PERMISSION.

D-3

BEAM CLAMP ASSEMBLY
 3-1/2" TUBING TO I-BEAM OR RIGID FRAME

ARIZONA COURTLINES, INC.



8742 NORTH 78 TH AVENUE
 PEORIA, ARIZONA 85345
 PHONE (623) 939 - 8126
 FAX (623) 939 - 2526
 WWW.ARIZONACOURTLINES.COM

DRAWN BY:
 EDDIE CAFFERATA

CHECKED BY:

QUANTITY: