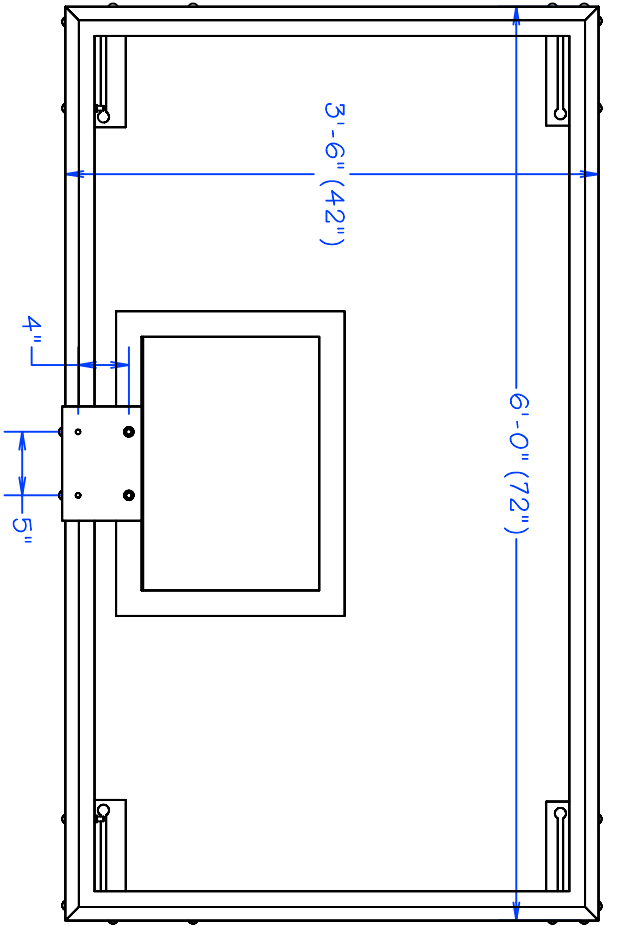
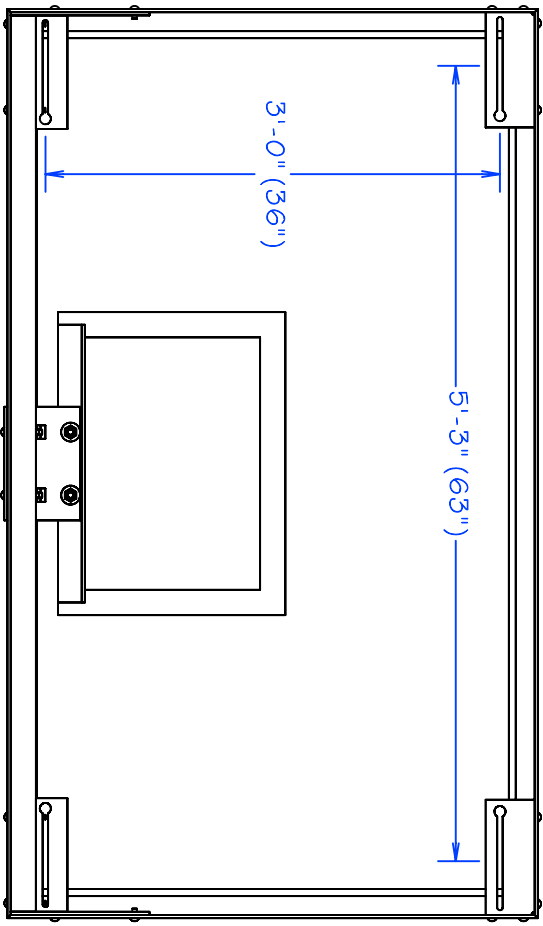


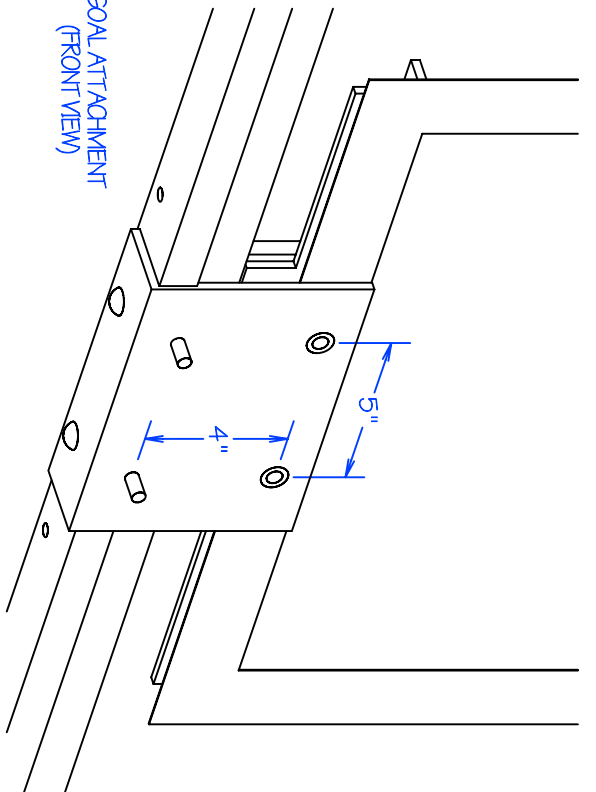
FRONT VIEW



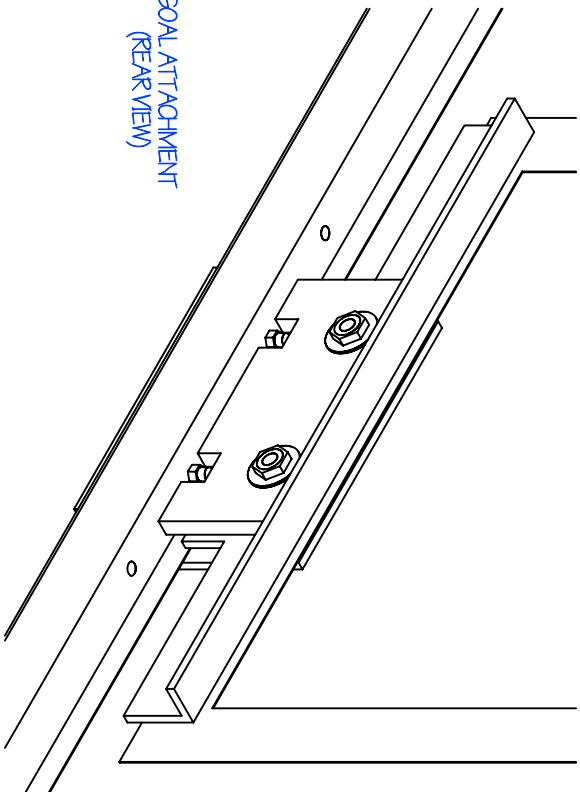
REAR VIEW



GOAL ATTACHMENT
(FRONT VIEW)



GOAL ATTACHMENT
(REAR VIEW)



REVISION / STAGE: MONTH / DAY / YEAR

DESIGN REVISION: FEBRUARY 21, 2007

RELATED DRAWINGS / INFORMATION:

BBC-42

72" X 42" TEMPERED GLASS BACKBOARD

BBC-42

THIS DRAWING IS PROPERTY OF ARIZONA CURTAIN LINES, INC. AND MAY NOT BE REPRODUCED WITHOUT WRITTEN PERMISSION.

ARIZONA CURTAIN LINES, INC.



8742 NORTH 72ND AVENUE
PEORIA, ARIZONA 86545
PHONE (625) 939-8726
FAX (625) 939-2526
WWW.ARIZONACURTAINLINES.COM

DRAWN BY:

EDDIE CAFFERATA

CHECKED BY:

QUANTITY:
