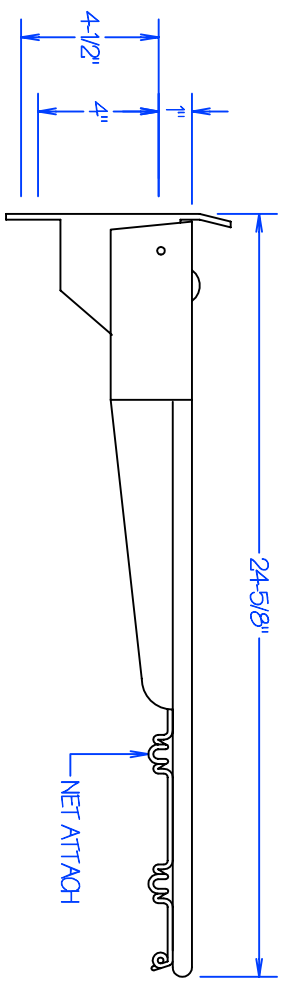
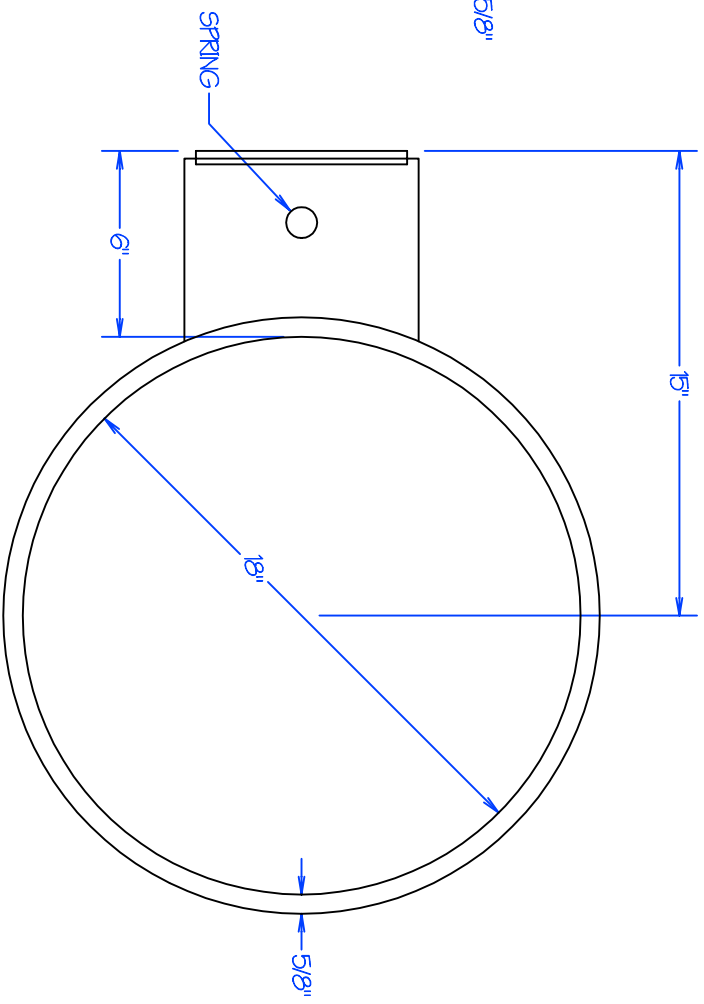
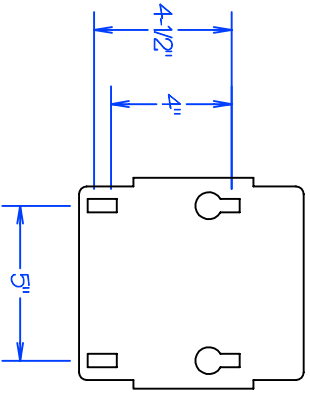
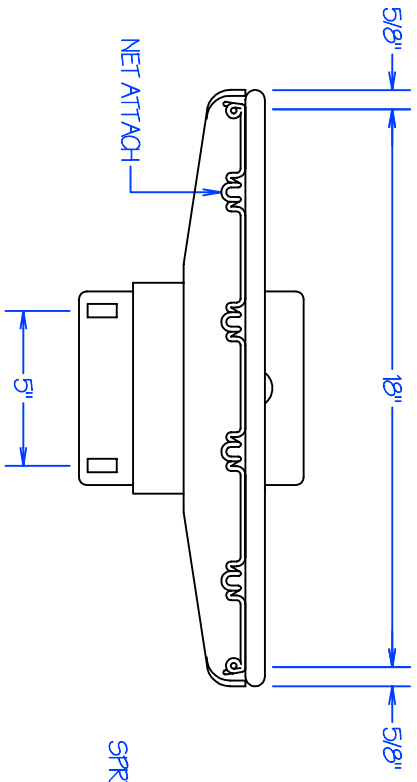


**RECTANGULAR BACKBOARD NOTE:**  
 THIS GOAL IS RECOMMENDED FOR 42" (HEIGHT) BACKBOARDS.  
 FOR 48" (HEIGHT) BACKBOARDS USE BA-3 (STANDARD PATTERN).



REVISION / STAGE MONTH / DAY / YEAR

RELATED DRAWINGS / INFORMATION

BA-3SB

PRO-STRENGTH COLLAPSIBLE GOAL (SHORT BOARD)

ARIZONA COURTLINES, INC.



8742 NORTH 172 TH AVENUE  
 PEORIA, ARIZONA 85345  
 PHONE (623) 939-8126  
 FAX (623) 939-2526  
 WWW.ARIZONACOURTLINES.COM

DRAWN BY:

EDDIE CARRERATA

CHECKED BY:

QUANTITY:

BA-3SB

THIS DRAWING IS PROPERTY OF ARIZONA COURTLINES, INC.  
 AND MAY NOT BE REPRODUCED WITHOUT WRITTEN PERMISSION