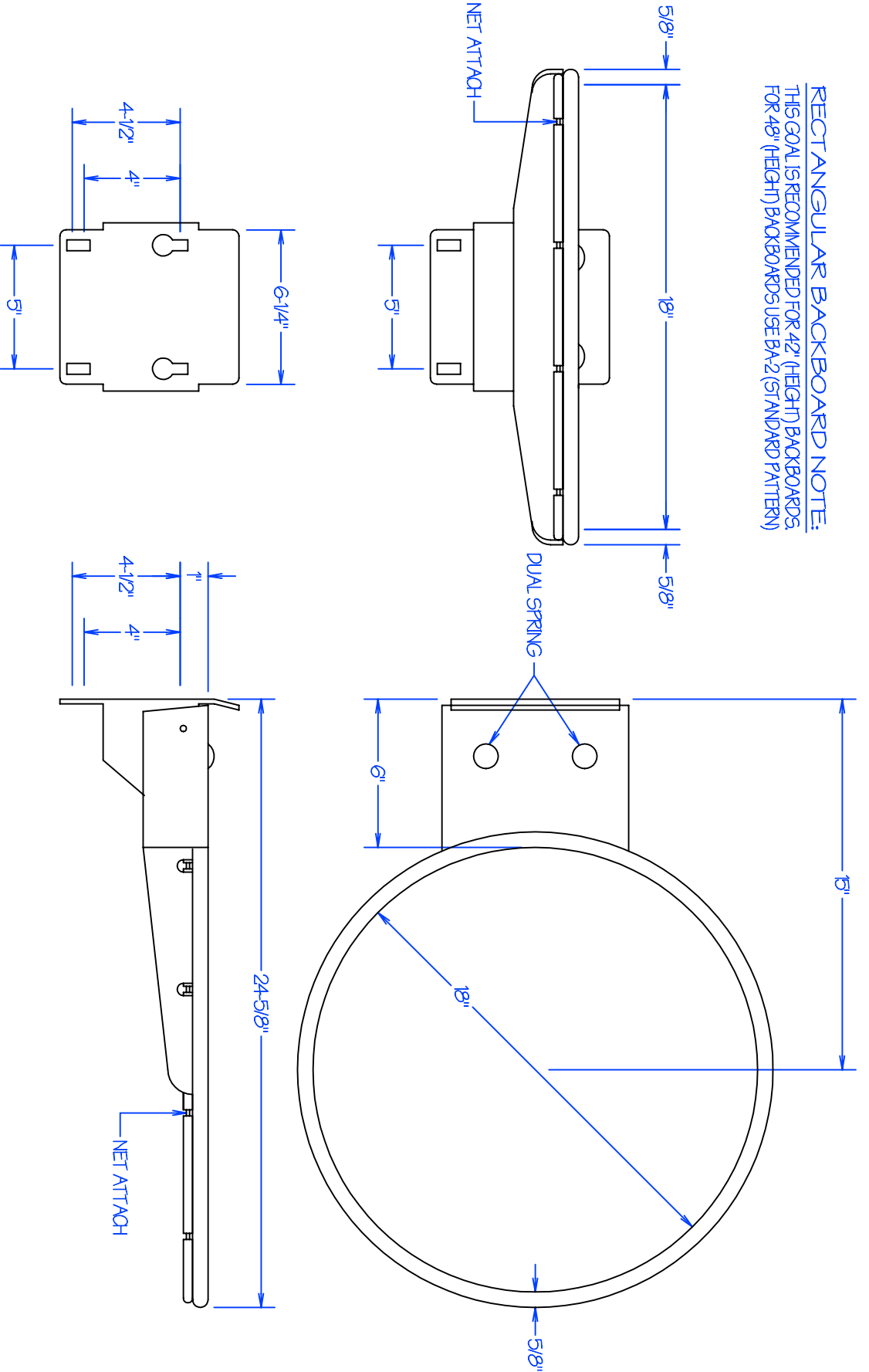


**RECTANGULAR BACKBOARD NOTE:**  
 THIS GOAL IS RECOMMENDED FOR 42" (HEIGHT) BACKBOARDS FOR 48" (HEIGHT) BACKBOARDS USE BA-2 (STANDARD PATTERN)



REVISION/STAGE MONTH / DAY / YEAR

RELATED DRAWINGS / INFORMATION

BA-2SB

SUPER-PRO COLLAPSIBLE GOAL (SHORT BOARD)

ARIZONA COURTLINES, INC.



8742 NORTH 72<sup>ND</sup> AVENUE  
 PEORIA, ARIZONA 85345  
 PHONE (623) 939-8726  
 FAX (623) 939-2526  
 WWW.ARIZONACOURTLINES.COM

DRAWN BY:

EDDIE CARRERATA

CHECKED BY:

QUANTITY:

BA-2SB

THIS DRAWING IS PROPERTY OF ARIZONA COURTLINES, INC. AND MAY NOT BE REPRODUCED WITHOUT WRITTEN PERMISSION