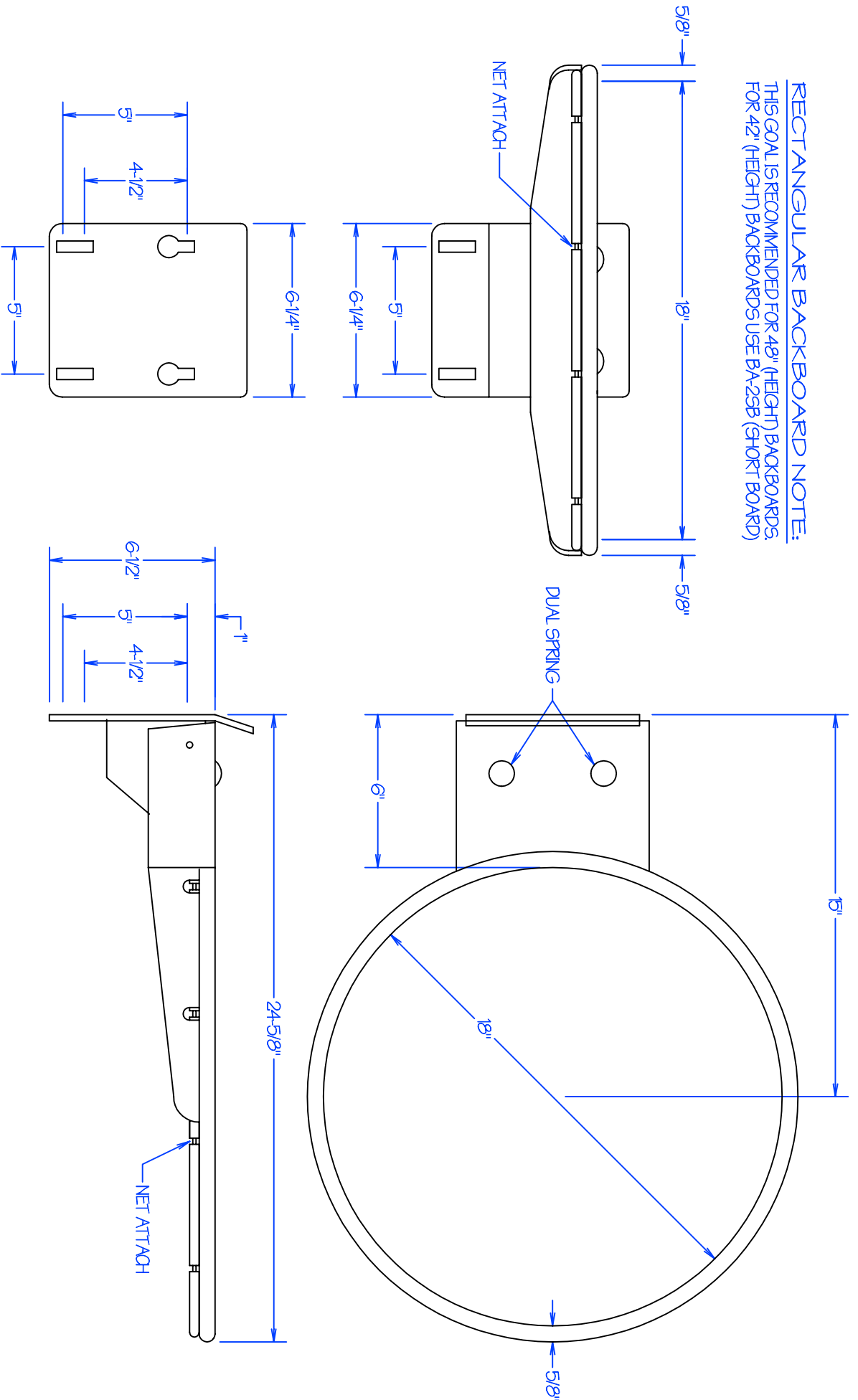


**RECTANGULAR BACKBOARD NOTE:**  
 THIS GOAL IS RECOMMENDED FOR 48" (HEIGHT) BACKBOARDS,  
 FOR 42" (HEIGHT) BACKBOARDS USE BA-25B (SHORT BOARD)



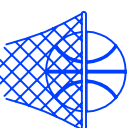
REVISION/STAGE	MONTH / DAY / YEAR	RELATED DRAWINGS / INFORMATION
BA-2		

THIS DRAWING IS PROPERTY OF ARIZONA COURTLINES, INC. AND MAY NOT BE REPRODUCED WITHOUT WRITTEN PERMISSION

BA-2

SUPER-PRO COLLAPSIBLE GOAL

ARIZONA COURTLINES, INC.



8742 NORTH 72<sup>ND</sup> AVENUE  
 PEORIA, ARIZONA 85345  
 PHONE (623) 939-8726  
 FAX (623) 939-2526  
 WWW.ARIZONACOURTLINES.COM

DRAWN BY:  
 EDDIE CARRERATA

CHECKED BY:

QUANTITY: