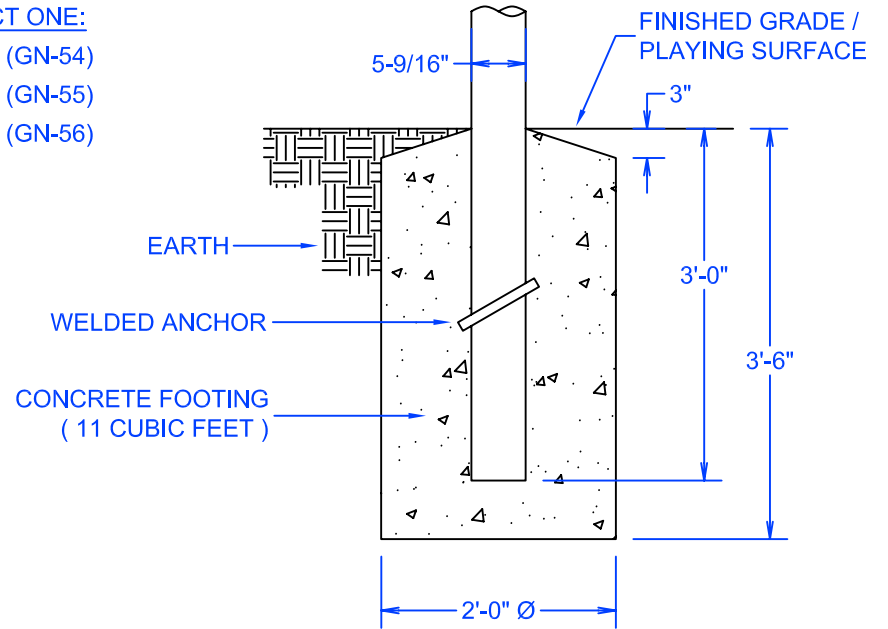


- SELECT ONE:
- 4'-0" (GN-54)
 - 5'-0" (GN-55)
 - 6'-0" (GN-56)

STANDARD FOOTING



REVISION / STAGE:	MONTH / DAY / YEAR	RELATED DRAWINGS / INFORMATION:
GN-5_		THIS DRAWING IS PROPERTY OF ARIZONA COURTLINES, INC. AND MAY NOT BE REPRODUCED WITHOUT WRITTEN PERMISSION

GN-5_

OUTDOOR GOOSENECK BACKSTOP
5-9/16" DIAMETER POST W/ _____ EXTENSION

ARIZONA COURTLINES, INC.

8742 NORTH 78TH AVENUE
PEORIA, ARIZONA 85345
TEL. 623.939.8126
FAX. 623.939.2526
www.ARIZONACOURTLINES.com

DRAWN BY: EDDIE CAFFERATA
CHECKED BY:
QUANTITY: _____