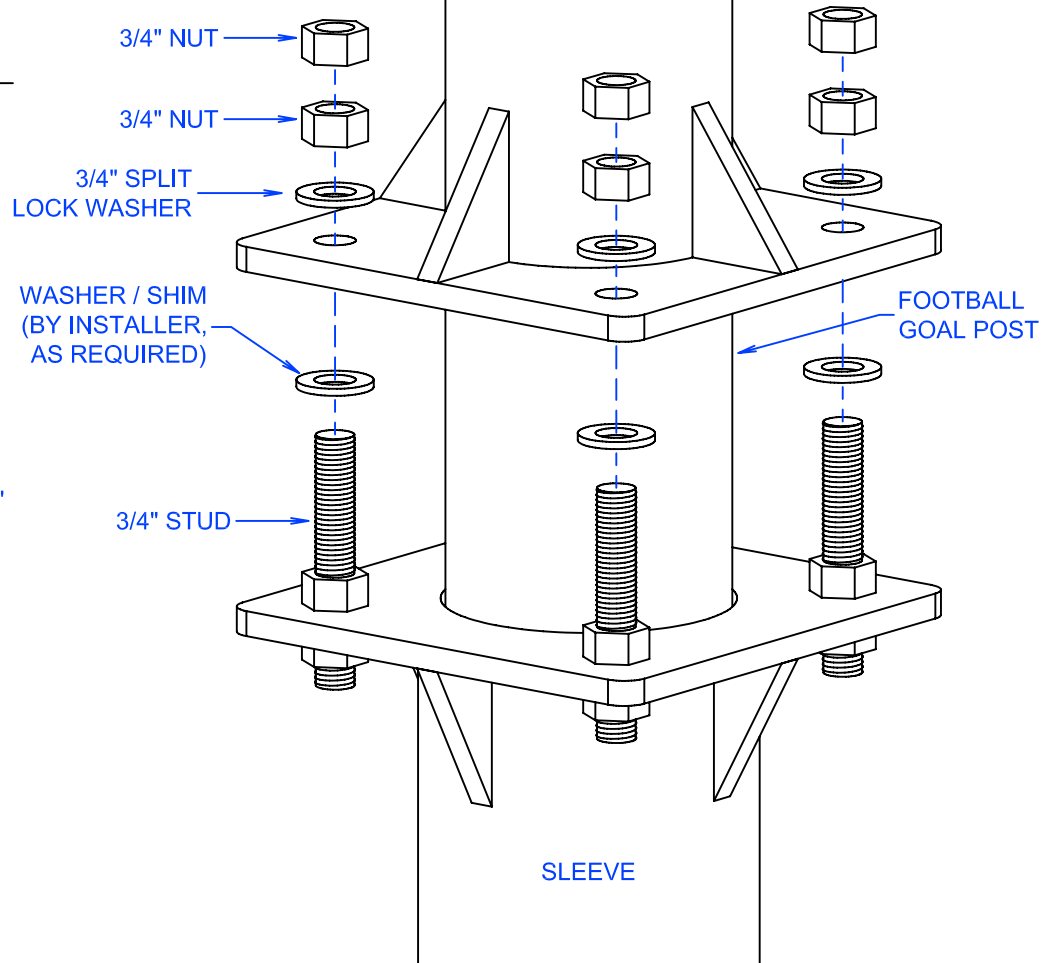


SEE DRAWING  
"FBGP-SL-02"  
FOR DETAILS



REVISION / STAGE:	MONTH / DAY / YEAR	RELATED DRAWINGS / INFORMATION:
FBGP-SL-01		THIS DRAWING IS PROPERTY OF ARIZONA COURTLINES, INC. AND MAY NOT BE REPRODUCED WITHOUT WRITTEN PERMISSION


FBGP-SL-01

**FOOTBALL GOAL POST  
SLEEVE (FOR 5-9/16" POST)**

DRAWN BY:  
EDDIE CAFFERATA

CHECKED BY:

QUANTITY:



ARIZONA COURTLINES, INC.

8742 NORTH 78TH AVENUE  
PEORIA, ARIZONA 85345  
TEL. 623.939.8126  
FAX. 623.939.2526  
www.ARIZONACOURTLINES.com