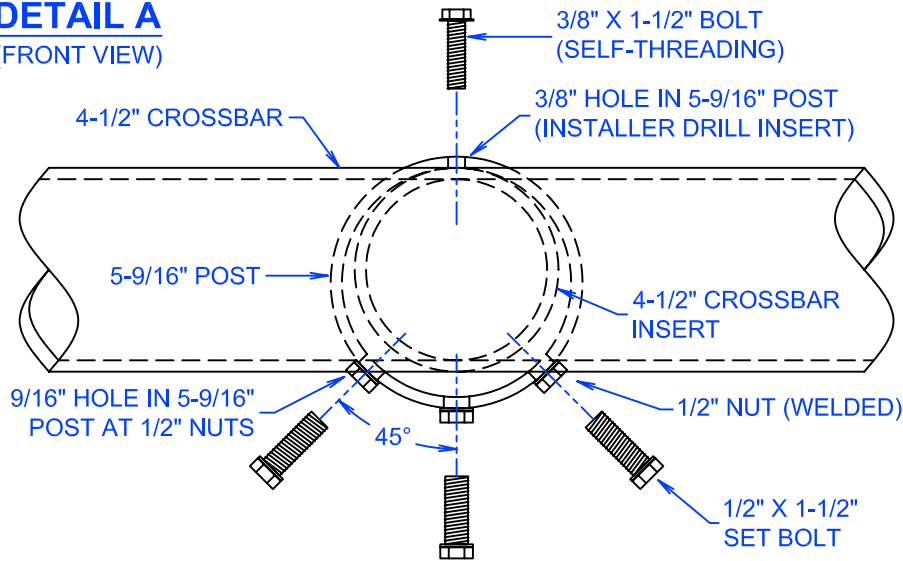
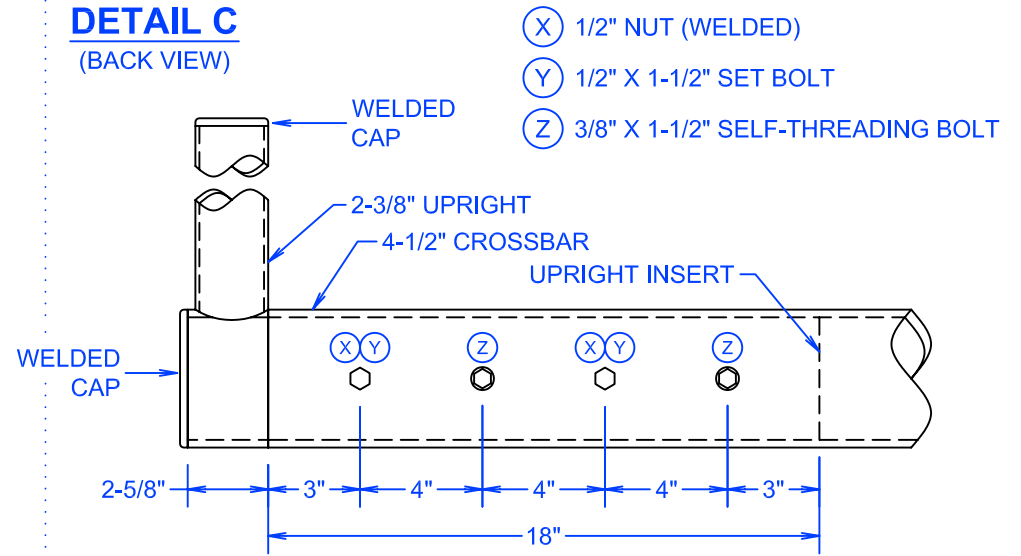


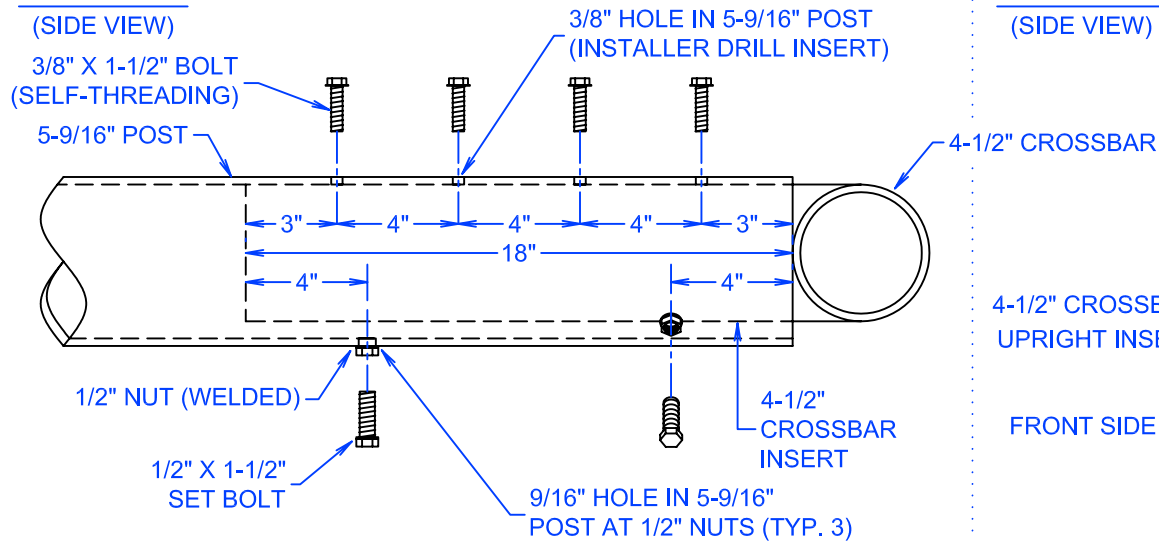
DETAIL A
(FRONT VIEW)



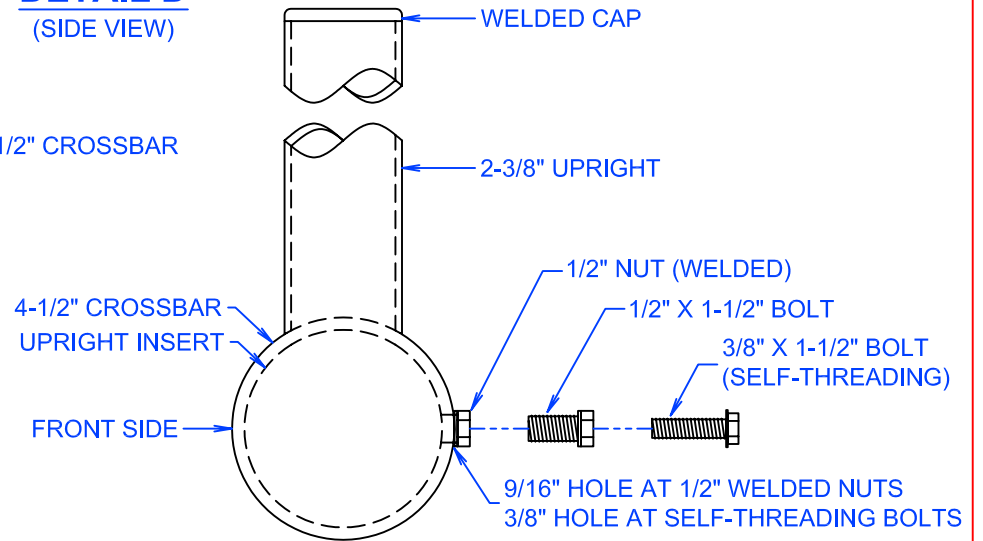
DETAIL C
(BACK VIEW)



DETAIL B
(SIDE VIEW)



DETAIL D
(SIDE VIEW)



REVISION / STAGE:	MONTH / DAY / YEAR	RELATED DRAWINGS / INFORMATION:
FBGP-56C-2		THIS DRAWING IS PROPERTY OF ARIZONA COURTLINES, INC. AND MAY NOT BE REPRODUCED WITHOUT WRITTEN PERMISSION

FBGP-56C

CROSSBAR AND UPRIGHT CONNECTION DETAILS

ARIZONA COURTLINES, INC.

8742 NORTH 78TH AVENUE
PEORIA, ARIZONA 85345
TEL. 623.939.8126
FAX. 623.939.2526
www.ARIZONACOURTLINES.com

DRAWN BY:
EDDIE CAFFERATA

CHECKED BY:

QUANTITY: