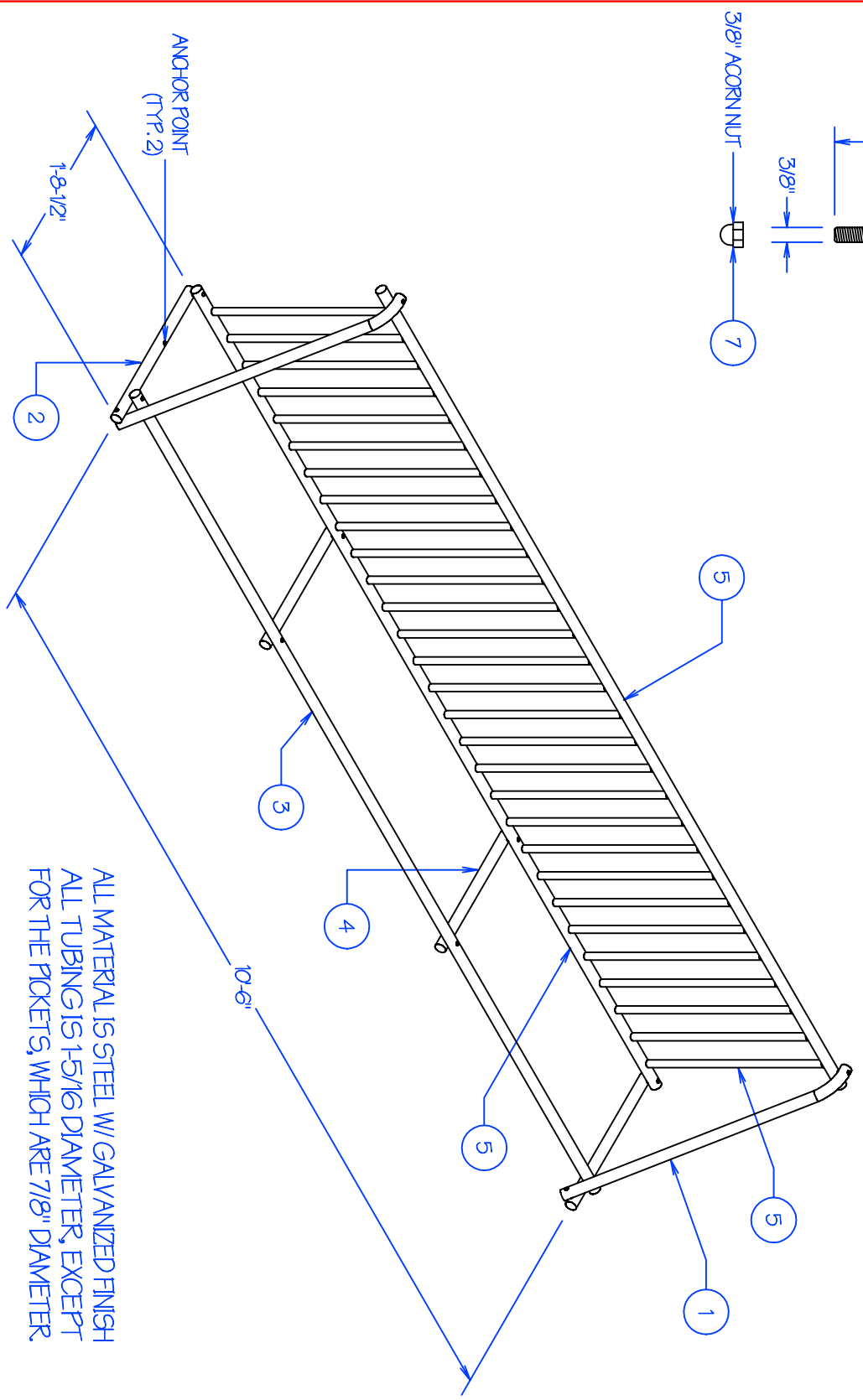
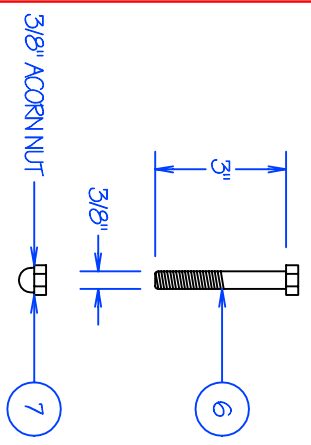


ANCHORS TO BE SUPPLIED BY INSTALLER



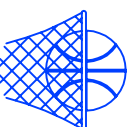
PART #	QUANTITY
1	2
2	2
3	2
4	2
5*	1*
6	12
7	12

* PART # 515, A WELDED ASSEMBLY AND CONSISTS OF 31 TOTAL PIECES.

REVISION / STAGE	MONTH / DAY / YEAR	RELATED DRAWINGS / INFORMATION

BR-SE

BIKE RACK - SINGLE ENTRY

ARIZONA COURTLINES, INC.

 8742 NORTH 172 TH AVENUE
 PEORIA, ARIZONA 86545
 PHONE (623) 939 - 8726
 FAX (623) 939 - 2826
 WWW.ARIZONACOURTLINES.COM

DRAWN BY: EDDIE CARRERATA
 CHECKED BY: _____
 QUANTITY: _____

BR-SE

THIS DRAWING IS PROPERTY OF ARIZONA COURTLINES, INC. AND MAY NOT BE REPRODUCED WITHOUT WRITTEN PERMISSION