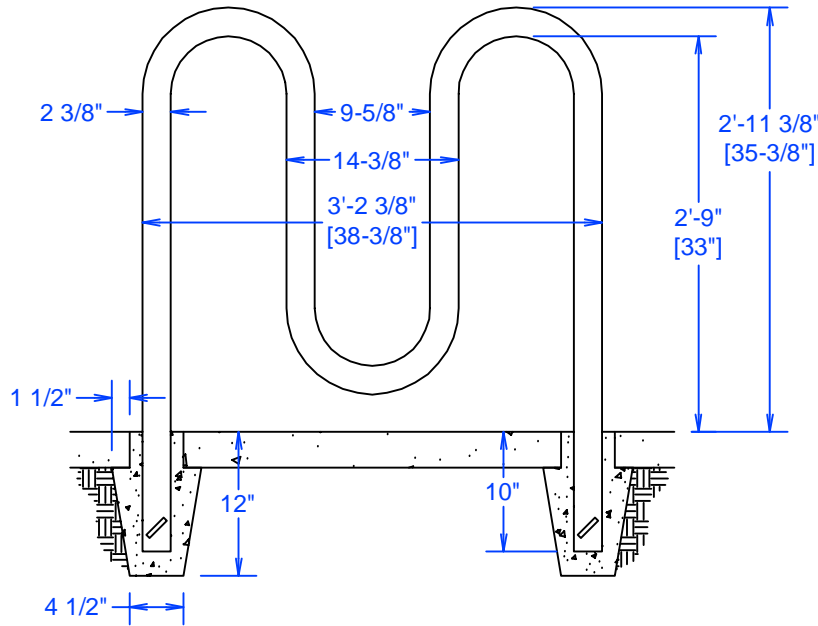
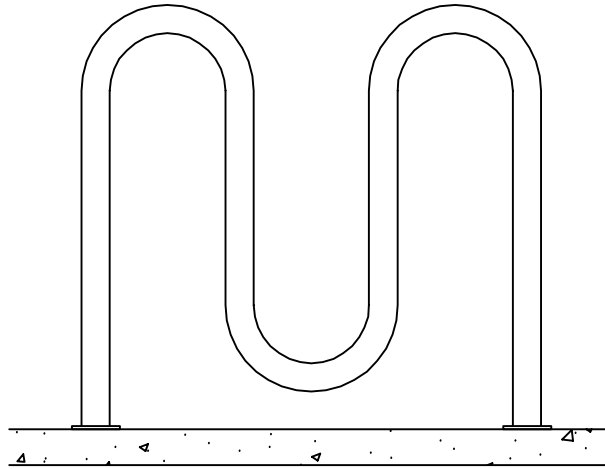


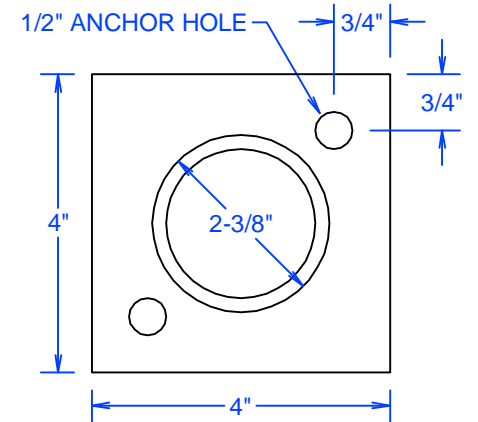
IN-GROUND



SURFACE MOUNT




SURFACE MOUNT PLATE



ANCHORS PROVIDED BY INSTALLER.
TWO ANCHORS PER PLATE.
3/8" ANCHORS RECOMMENDED.

×	MODEL	FINISH	INSTALL TYPE
	BR-03GI	GALVANIZED	IN-GROUND
	BR-03GS	GALVANIZED	SURFACE MOUNT
	BR-03PI	POWDER COATED	IN-GROUND
	BR-03PS	POWDER COATED	SURFACE MOUNT

INSTALL TYPE	CUT LENGTH
IN-GROUND	14'-3" [171"]
SURFACE MOUNT	12'-7" [151"]

REVISION / STAGE:	MONTH / DAY / YEAR	RELATED DRAWINGS / INFORMATION:	BR-03		ARIZONA COURTLINES, INC.  8742 NORTH 78TH AVENUE PEORIA, ARIZONA 85345 TEL. 623.939.8126 FAX. 623.939.2526 www.ARIZONACOURTLINES.com	DRAWN BY:
_____	FEBRUARY 27, 2012		WAVE STYLE BIKE RACK (3-LOOP)			
_____	_____				CHECKED BY:	
_____	_____				QUANTITY:	
_____	_____				_____	
BR-03		THIS DRAWING IS PROPERTY OF ARIZONA COURTLINES, INC. AND MAY NOT BE REPRODUCED WITHOUT WRITTEN PERMISSION				