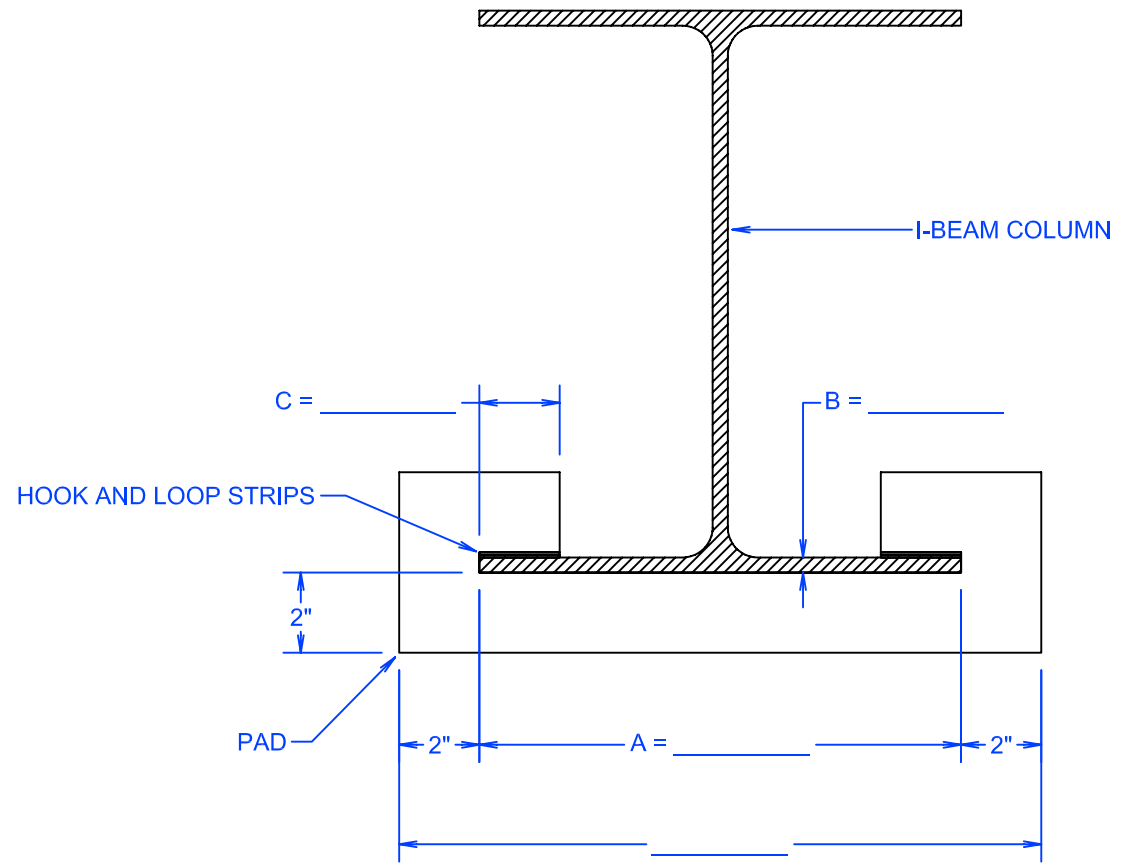


SPECIFICATIONS:
 FOAM: 2" URETHANE
 VINYL: 14 OZ
 MEETS ASTM E-84 CLASS "A" FIRE RATING & CAL 117
 ANTI-MILDEW, ANTI-BACTERIA AND UV STABILIZED
 HOOK AND LOOP STRIPS FOR SECURING TO I-BEAM
 ONE STRIP SEWN TO EACH SIDE OF PAD
 ONE STRIP GLUED OR SCREWED TO EACH SIDE OF I-BEAM



REVISION / STAGE:	MONTH / DAY / YEAR	RELATED DRAWINGS / INFORMATION:
_____	_____	_____
_____	_____	_____
_____	_____	_____
_____	_____	_____
WP-FLG-W		THIS DRAWING IS PROPERTY OF ARIZONA COURTLINES, INC. AND MAY NOT BE REPRODUCED WITHOUT WRITTEN PERMISSION

WP-FLG-W

**I-BEAM FLANGE WRAP PAD
(SPECIFY DIMENSIONS)**

ARIZONA COURTLINES, INC.



8742 NORTH 78TH AVENUE
 PEORIA, ARIZONA 85345
 TEL. 623.939.8126
 FAX. 623.939.2526
 www.ARIZONACOURTLINES.com

DRAWN BY: EDDIE CAFFERATA
CHECKED BY: _____
QUANTITY: _____