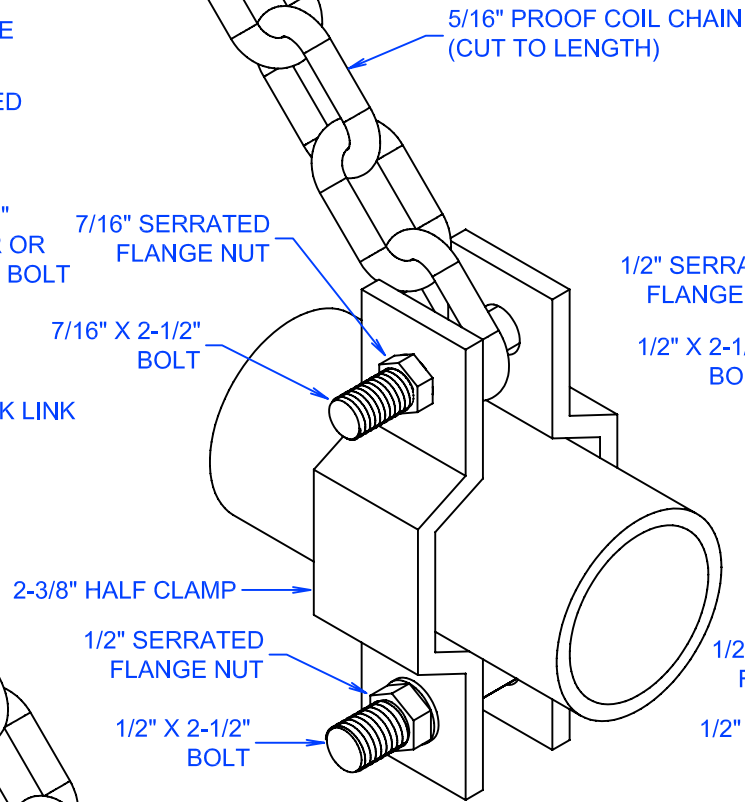
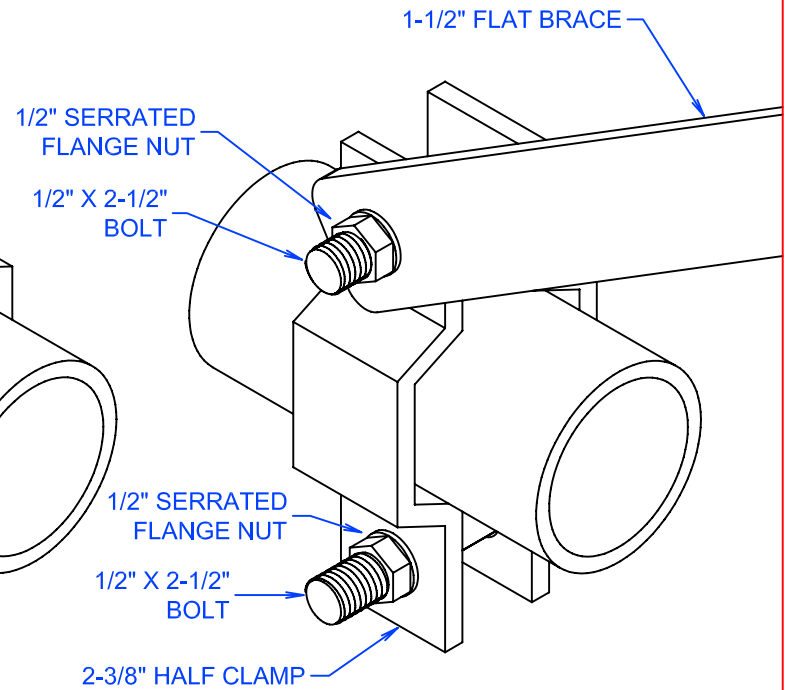


UPPER CHAIN DETAIL



LOWER CHAIN DETAIL



FLAT BRACE DETAIL

REVISION / STAGE:	MONTH / DAY / YEAR	RELATED DRAWINGS / INFORMATION:
WM-1.1		THIS DRAWING IS PROPERTY OF ARIZONA COURTLINES, INC. AND MAY NOT BE REPRODUCED WITHOUT WRITTEN PERMISSION

WALL MOUNTED BASKETBALL BACKSTOPS

TYPICAL PARTS DETAILS

ARIZONA COURTLINES, INC.



8742 NORTH 78TH AVENUE
PEORIA, ARIZONA 85345
TEL. 623.939.8126
FAX. 623.939.2526
www.ARIZONACOURTLINES.com

DRAWN BY:
EDDIE CAFFERATA

CHECKED BY:

QUANTITY: